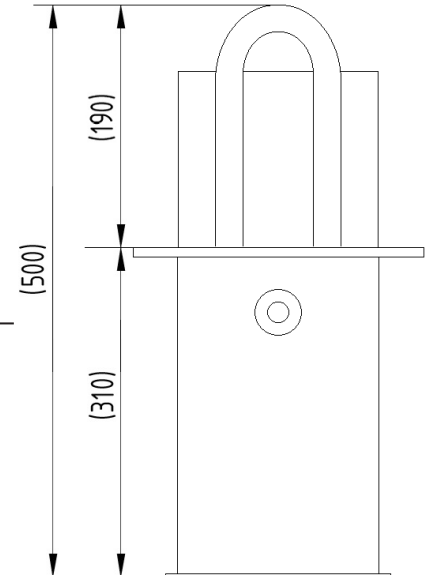




Motorcycle Locking Loop Concrete In 1 Holder Galvanised



The Motorcycle Locking Loop - Concrete in is ideal for securing motorcycles. The Loop is cast into the ground providing a very high level of security when used with the motorcyclists own locking chain. The lid is designed so it can be operated with gloves on and when not in use presents no trip hazard (with lid lowered).

The loop is fabricated from 20mm solid galvanised steel bar and is therefore extremely durable. The Motorcycle Locking Loop - Concrete in is available in galvanised mild steel making it ideal for use outside where it will retain its looks for years.

<u>Part Number</u>	<u>Description</u>	<u>Weight (kg)</u>
138 200 250	Motorcycle Locking Loop - Concrete In	7kg




Product details

- Locking bar - 190mm x 20mm (height x width)
- Socket - 310mm x 150mm x 185mm (height x width x length)
- Concrete in 300mm (below ground)
- Galvanised mild steel
- Excludes locking chain

Installation & use

Installation requires setting with concrete into a hole of at least 200mm x 200mm x 350mm (length x width x depth)
Allow 800-1,000mm between loops and a minimum of 450mm from any obstruction.
This product is guaranteed for 12 months (if installed and used correctly).



 01905 794 875
 StartSafety.uk
 sales@startsafety.uk

