

Collision Protection



- Indoor and Outdoor use
- Additional reinforcing bar
- Four mounting options
- Various widths available
- Highly visible

TRAFFIC-LINE Steel Hoop Guards

Protect and segregate pedestrians, machinery and other zones from works vehicles etc.

Manufactured from 48mm Ø high quality steel tube with additional knee-bar for additional strength and rigidity, and finished in eye catching black/yellow powder coating.

Finish :

For Outdoor use: Hot dip galvanised and powder coated yellow with black bands.

For Indoor use: Powder coated yellow with black bands.

Diameter:

48mm Ø x 2mm wall thickness.

Mounting options:

For surface fixing:
Base plate: 160 x 70 x 10mm

For wall fixing (permanent):
2 x mounting plates with pre-drilled fixing holes.

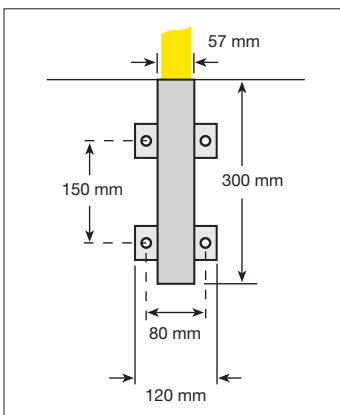
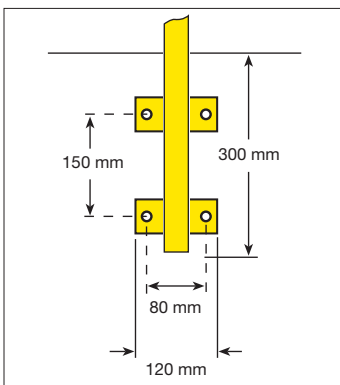
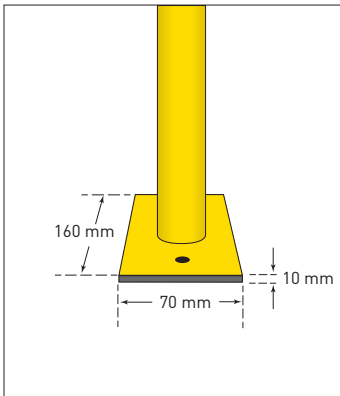
For root fixing:
As per the details for permanent wall mounting, utilising welded mounting plates as ground anchors.

For wall fixing (removable):
2 x sockets with mounting plates pre-drilled fixing holes.

Additional options:

Galvanised only, special lengths and colours.





Descripton	Height/length (mm)	Finish	Delivery weight (kg/ea.)	Reference	Typical despatch time (working days)
Floor mounting	1,000 x 1,000	Powder coated	10	201.14.228	1 / 2 days
		Hot dip galvanised and Powder coated		201.15.512	
With mounting plates 160 x 70 x 10 mm	1,000 x 1,500	Powder coated	12.5	201.15.794	
		Hot dip galvanised and Powder coated		201.17.982	
Yellow with black bands	1,000 x 2,000	Powder coated	15	201.14.465	
		Hot dip galvanised and Powder coated		201.13.553	
Surface fixing bolt S14 10/100 (4 per guard)			0.2	109.17.393	
Wall or root fixing	1,300 x 1,000	Powder coated	10.5	201.23.846	5 / 10 days
		Hot dip galvanised and Powder coated		201.23.287	
Yellow with black bands	1,300 x 1,500	Powder coated	13	201.21.475	
		Hot dip galvanised and Powder coated		201.27.174	
	1,300 x 2,000	Powder coated	15.5	201.20.276	
		Hot dip galvanised and Powder coated		201.24.456	
Surface fixing bolt S14 10/100 (8 per guard)			0.2	109.17.393	1 / 2 days
Wall fixing (Removable)	1,300 x 1,000	Powder coated	10.5	201.25.003	5 / 10 days
		Hot dip galvanised and Powder coated		201.20.059	
Yellow with black bands	1,300 x 1,500	Powder coated	13	201.22.243	
		Hot dip galvanised and Powder coated		201.27.829	
	1,300 x 2,000	Powder coated	15.5	201.21.658	
		Hot dip galvanised and Powder coated		201.21.335	
Wall socket (2 per guard) 120 W x 300 H		Hot dip galvanised	2	201.27.454	5 / 10 days
Surface fixing bolt S14 10/100 (8 per guard)			0.2	109.17.393	1 / 2 days