

# T19 - 07 LED STRING LIGHTS

100 / 50 Watt



**Strong, Durable**



**Life Expectancy-  
Up to 50,000 hrs**



**IP 65**



**Omni-Directional**



**Lightweight**



## Linkable Units

### T19 - 07 (10W x 5)

5 x Lights - Linkable to six more sets

### T19 - 07 (10W x 10)

10 x Lights - Linkable to three more sets



IP67 - 110v Plug & Adaptor

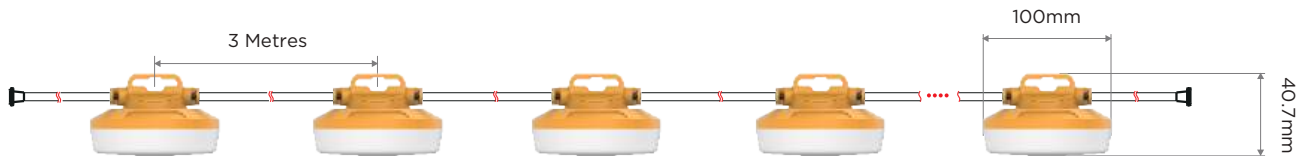
## Dimensions

**T19 - 07 - 50W (5)**

**15 Metres**

**T19 - 07 - 100W (10)**

**30 Metres**



## Specification

Power	LED Qty	PF	CRI	Voltage	CCT	Lumen	Size	Operating Temp.	Beamangle	Weight	IP degree	Equal to
50W	28 x 5 LED <b>PHILIPS</b> 2835	≥0.9	≥80	120v AC 50 - 60 Hz	2700-6000k	1100 x 5 +/- 10%	100 x 40.7mm	-15 to 45°C	360°	G.W. 2.3 KG	IP65	40W*5 Incandescent bulb
100W	28 x 10 LED <b>PHILIPS</b> 2835	≥0.9	≥80	120v AC 50 - 60 Hz	2700-6000k	1100 x 10 +/- 10%	100 x 40.7mm	-15 to 45°C	360°	G.W. 4.6 KG	IP65	40W*10 Incandescent bulb

## Old & New

### REPLACING



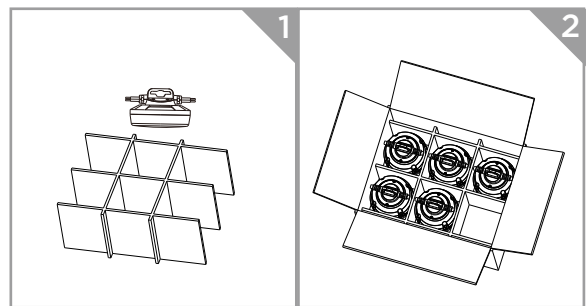


# Applications



# Packing Info

Power	Dimensions	G.W.	Lights per Box
50W	360mm x 250mm x 155mm	2.15 KG	5
100W	570mm x 250mm x 155mm	3.65 KG	10



**WARNING**

- \* PLEASE READ ALL INTRUCTIONS BEFORE USE \*
- \* DO NOT TAMPER WITH LIGHT HOUSINGS \*
- \* RISK OF ELECTRIC SHOCK \*

**WHI SAFE<sup>®</sup> GUARD**



01905 794 875



StartSafety.uk



sales@startsafety.uk