



01905 794 875



StartSafety.uk



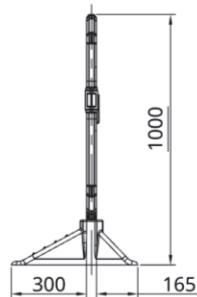
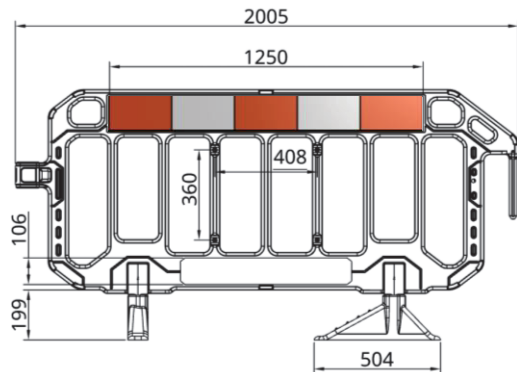
sales@startsafety.uk

# DATA SHEET **PROFESSIONAL BARRIER** 1 / 3

Chapter 8 & BS compliant Barrier and Reflector for pedestrian delineation

## BARRIER

|                      | PROFESSIONAL BARRIER | PROFESSIONAL BARRIER ANTI TRIP |
|----------------------|----------------------|--------------------------------|
| PRODUCT CODE         | PRO                  | PROANTI                        |
| WL                   | 2005MM               | 2005MM                         |
| W                    | 560MM                | 560MM                          |
| H                    | 1000MM               | 1000MM                         |
| WEIGHT (KG)          | 11.2                 | 11.2                           |
| PER PALLET           | 50                   | 50                             |
| PER FULL LOAD        | 600                  | 600                            |
| MATERIAL             | UVHDPE               | UVHDPE                         |
| COLOUR               | ORANGE / CUSTOM      | ORANGE / CUSTOM                |
| FOOT COLOUR          | BLACK                | YELLOW                         |
| CONFIRMED WIND SPEED | 20.1 mph             | 20.1 mph                       |



**CUSTOM OPTIONS:**

**Permit Board:** 600 x 400mm:  
**Holes:** D=10mm  
**Spacing:** H=409 V=360mm  
 Dxf file available on request

**Removable Standard foot**



**Removable Hi Vis Anti trip foot**

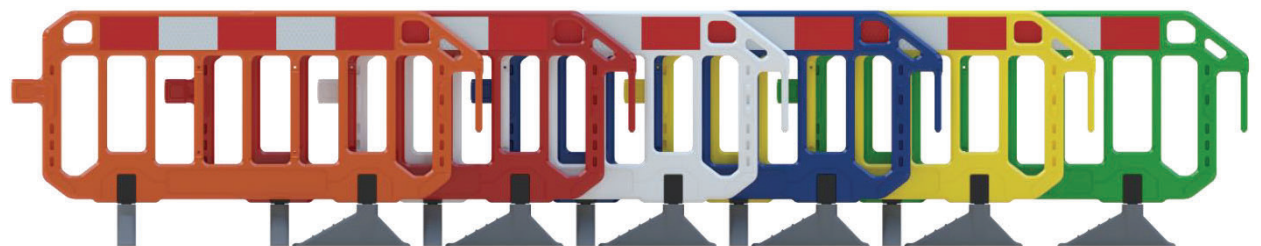
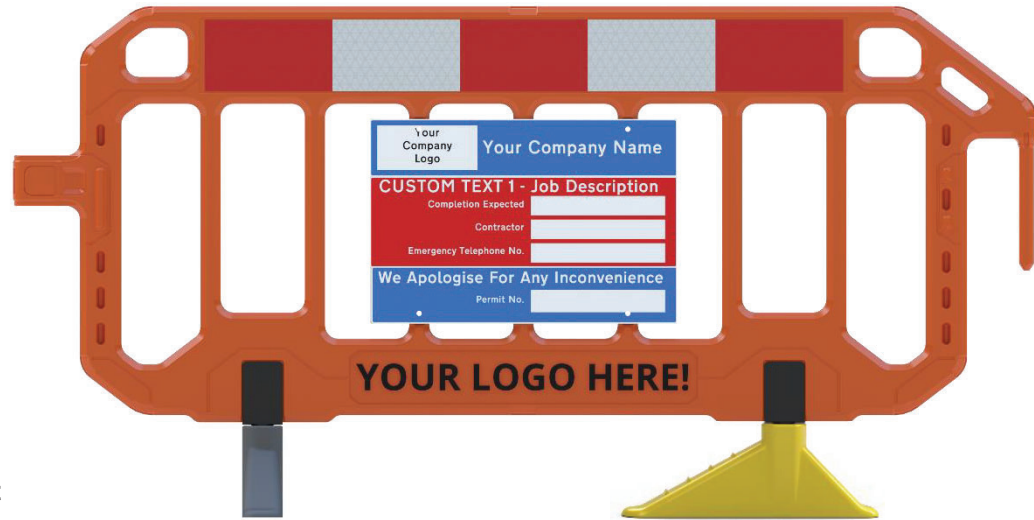


**Embossing / Branding area:**  
 W =660 x h =86mm



**Custom colours:**

- Orange
- Red
- White
- Blue
- Yellow
- Green



BALLAST REQUIREMENTS (BS 8442: 2006)

|               | CAT C WIND – 19.5mph | CAT B WIND – 39mph | CAT A WIND – 58mph |
|---------------|----------------------|--------------------|--------------------|
| BARRIER FLAT  | 0 KG                 | 40 KG              | 90 KG              |
| BARRIER BOXED | 0 KG                 | 0 KG               | 60 KG              |

