


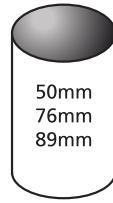
Fixings & Accessories

In addition to the signage, we carry a very wide range of fixing clips and clamps, a wide selection of posts including steel, aluminium or GRP. Posts are available from stock in grey, or anodised aluminium or can be painted to a colour of your choice. In addition to the standard posts and clips we will always work with our clients to find solutions to “non-standard” fixing requirements and have a large metal working shop that can make bespoke fixing brackets.

Posts



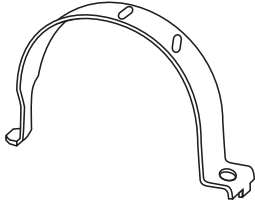
50mm x
50mm



50mm
76mm
89mm

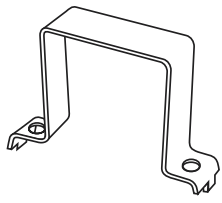
Available in Anodised Aluminium,
Plastic Coated,
Galvanized Steel or GRP

One Piece Clips



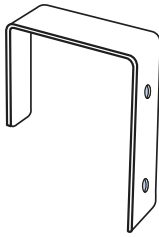
Sizes available:
50, 60, 76, 89, 102 and 114mm

Square and Rectangular Clips



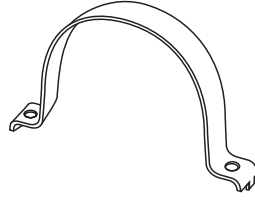
Sizes available:
50mm x 50mm 80mm x 80mm
100mm x 100mm

Skip Brackets




Sizes available:
Small & Large

Two Bolt Heavy-Duty D Clips



Sizes available:
127, 140, 168, 194mm

Two Bolt Mini D Clips



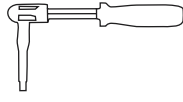
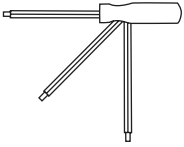

Sizes available:
13, 16, 19, 25mm

Tamtorque Clip



Available in 4 sizes, will fit
posts up to 190mm diameter.

Tools

<p>Tamtorque Ratchet Spanner DTT2BG</p> <div style="text-align: center;">  </div> <p>1/4" square ratchet driver complete with a Tamtorque socket bit.</p>	<p>Tamtorque Driver DTT1BG</p> <div style="text-align: center;">  </div> <p>A screwdriver and T-bar combination tool with non-removable Tamtorque bit .</p>	<p>Tamtorque Power Tool Bit DTTBP50BG</p> <div style="text-align: center;">  </div> <p>1/4" hex x 50mm long bit for direct insertion into cordless drill/drivers. Two bits per bag.</p>
--	---	--