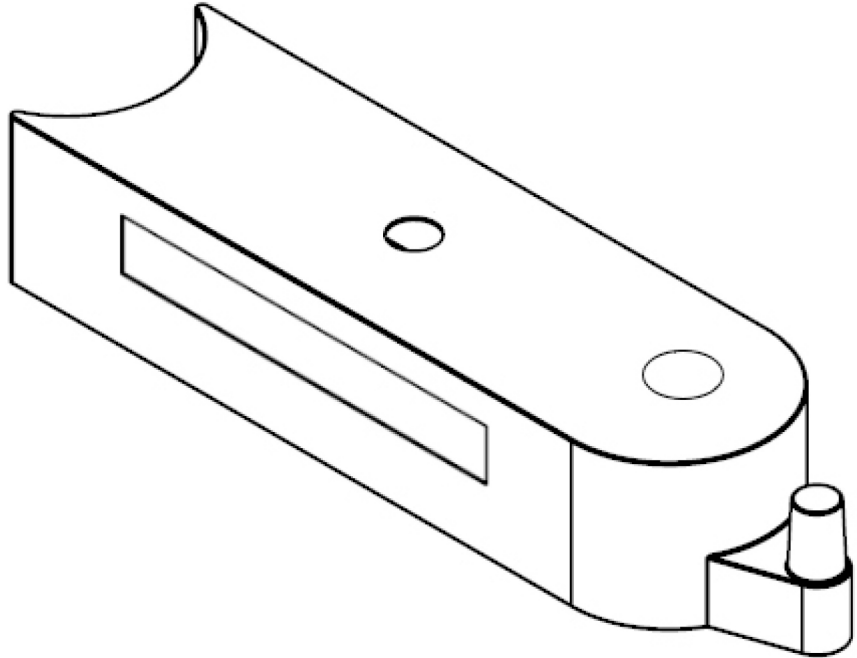
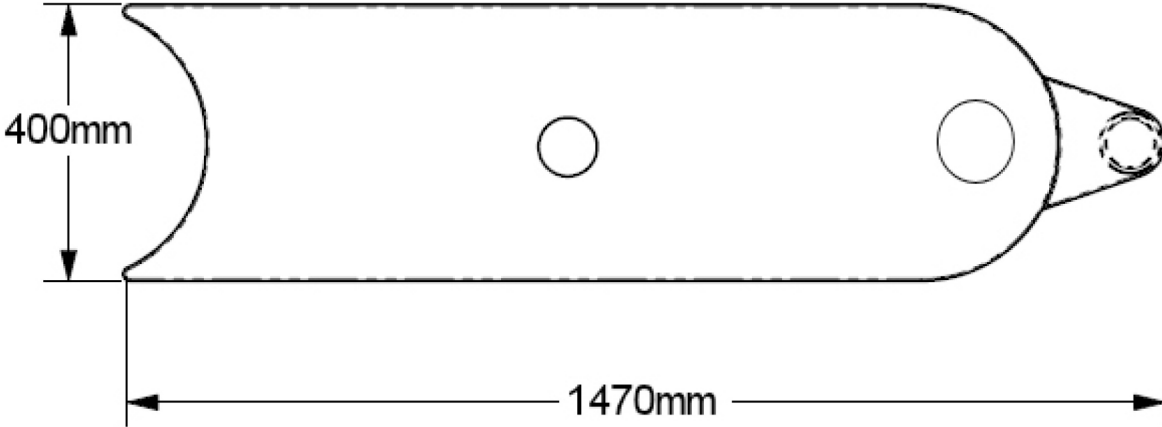
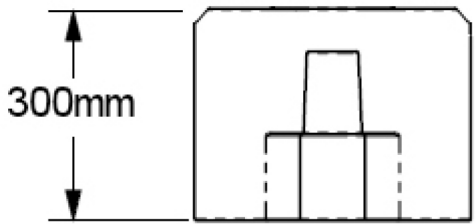
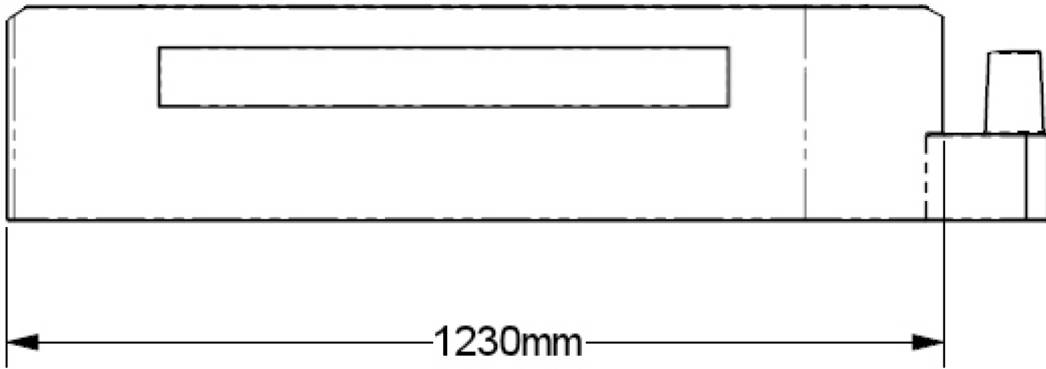


RB500 Waterlog



Weight empty = 10kg
Max full weight = 150kg
Qty per pallet = 27 (33.2m)
Qty per 45' Trailer = 486 (598m)