

Q-Frame

Description:

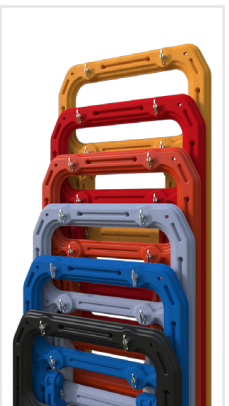
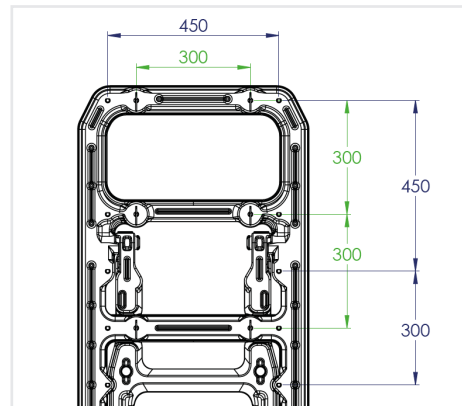
An industry first - an all plastic Quick Fit Frame. Implementing the revolutionary Quick-Lock fasteners that are fitted as standard. These remain securely in place allowing a quick and easy sign face installation. The frame takes 300mm and 450mm centre sign plates. Black as standard with Corporate Branding and various all-through colour options available*.

Features:

- Takes 300 mm and 450 mm centre sign faces.
- Revolutionary Quick-Lock fasteners.
- Lighter than steel = less weight in vehicle.
- Non-Metallic with no scrap value.
- Non-Conductive.
- 100% recyclable.
- Stackable - 80 to a pallet.
- Can be branded with customer logo. Minimum run applies.
- Can be manufactured in corporate colours. Minimum run applies.

Standards:

- Conforms to requirements of **BS 8442:2015**
- Chapter 8 - The Traffic Signs Manual
- The Red Book 2013
- Traffic Signs Regulations & General Directions



Height:	1505 mm
Installation Height:	1400 mm
Width:	605 mm
Depth:	65 mm
Weight:	3.8 kg

*All weights are approximate



The information given on these sheets is typical of the product depicted it must not be interpreted as a guarantee of individual product performance and/or characteristics. We reserve the right to alter specifications and designs without prior notice. All measurements are in millimetres (mm)



FM 673547