

APPROVED

USED ON

USED\_ON

DRAWN FROM

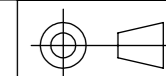
DRAWN\_FROM

IT

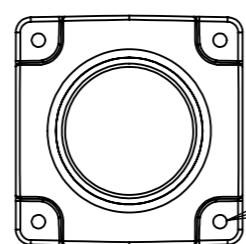
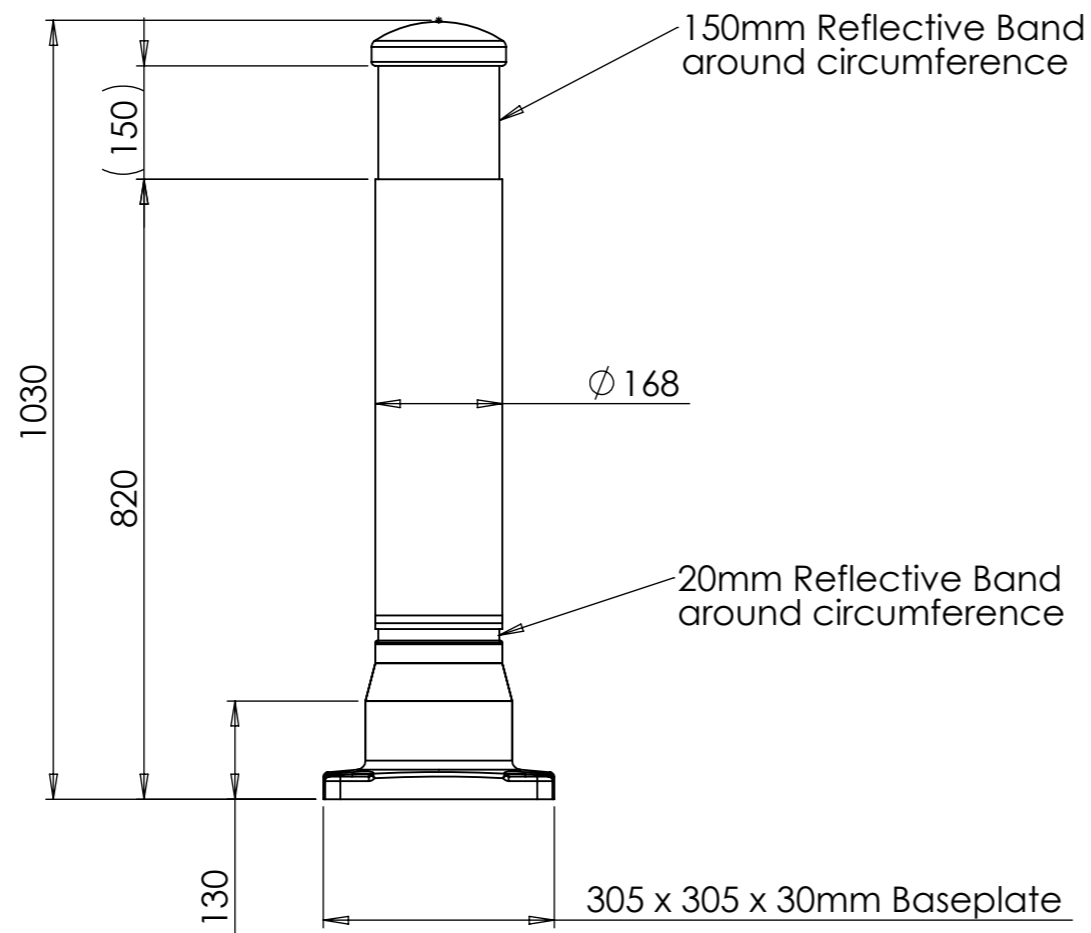
DIMS IN MILLIMETRES

BASED ON BS308

THIRD ANGLE PROJECTION



MODS  
ISSUE  
A  
FIRST ISSUE  
-----



4 x Dia18 Thro at 240 CRS  
for M16 Fixing Bolts

Material Notes

Standard Bollard - Icorene 3560  
Reboundable Bollard - Impactapol 1901



Start Traffic Ltd  
Unit 30 North Bank,  
Berry Hill Ind Est  
Droitwich, WR9 9AU  
TELEPHONE  
UK +44 (0)1905 794 875

TITLE  
Orion Bollard - Flange Mounted

MAT'L  
See Note

FINISH  
As Moulded

SCALE  
DRN Ian Thomas

SCALE  
CHKD  
SEE TOP LEFT OF SHEET 1  
FOR APPROVED SIGNATURE

DATE  
26 July 2016

GENERAL M/C TOLERANCES  
ANG DIMS: ± 1/2° METRIC: 5 ± 0.5mm  
IMP. FRACTIONAL DIMS: ± 1/64" 5.0 ± 0.3mm  
IMP. DECIMAL DIMS: ± 0.005 5.00 ± 0.1mm

DRG SIZE  
A3

DRG No

P0035.0018, Rev A