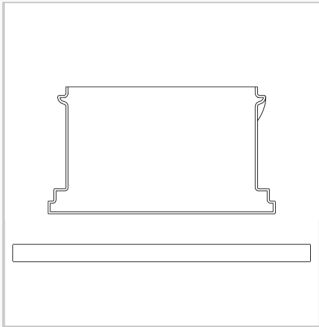
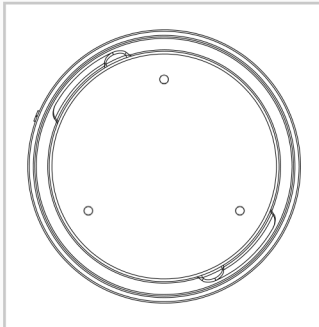
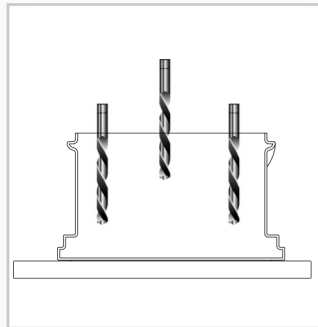
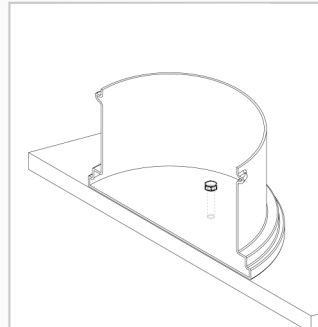
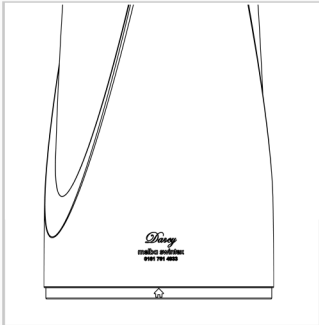
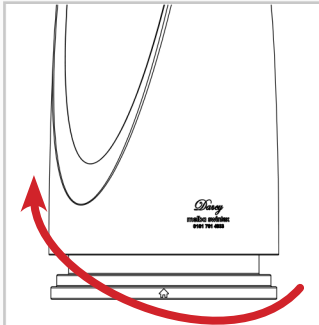
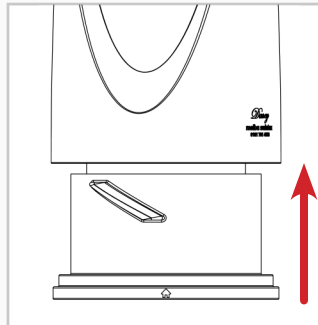
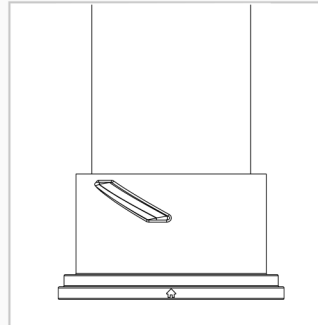




The Darcy Bin has the option to be either weighted down with a concrete base, or to be fixed to the pavement or similar surface using bolts.

For the weighted base, the bins require a 750 x 750 x 80mm circular base. Simply insert this into the bin. The concrete ballast must be requested on order of the bin.

			
<p>1] Place bin over pavement slab.</p>	<p>2] Insert fixing plate inside the bin.</p>	<p>3] Using Fixing Plate as a guide, drill 3 x M10 holes 80mm deep.</p>	<p>4] Secure the bin to the base using 3 bolts. Place liner into bin to cover over fixing.</p>

			
<p>1] Align the Home symbol with the Bin embossing on the side.</p>	<p>2] Begin to turn the Bin Clockwise, lifting upwards.</p>	<p>3] The Bins slots will locate onto the Base and begin to lift off.</p>	<p>4] Completely remove the Bin to gain access to the Liner.</p>