

APPROVED

USED ON

USED_ON

DRAWN FROM

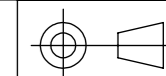
DRAWN_FROM

IT

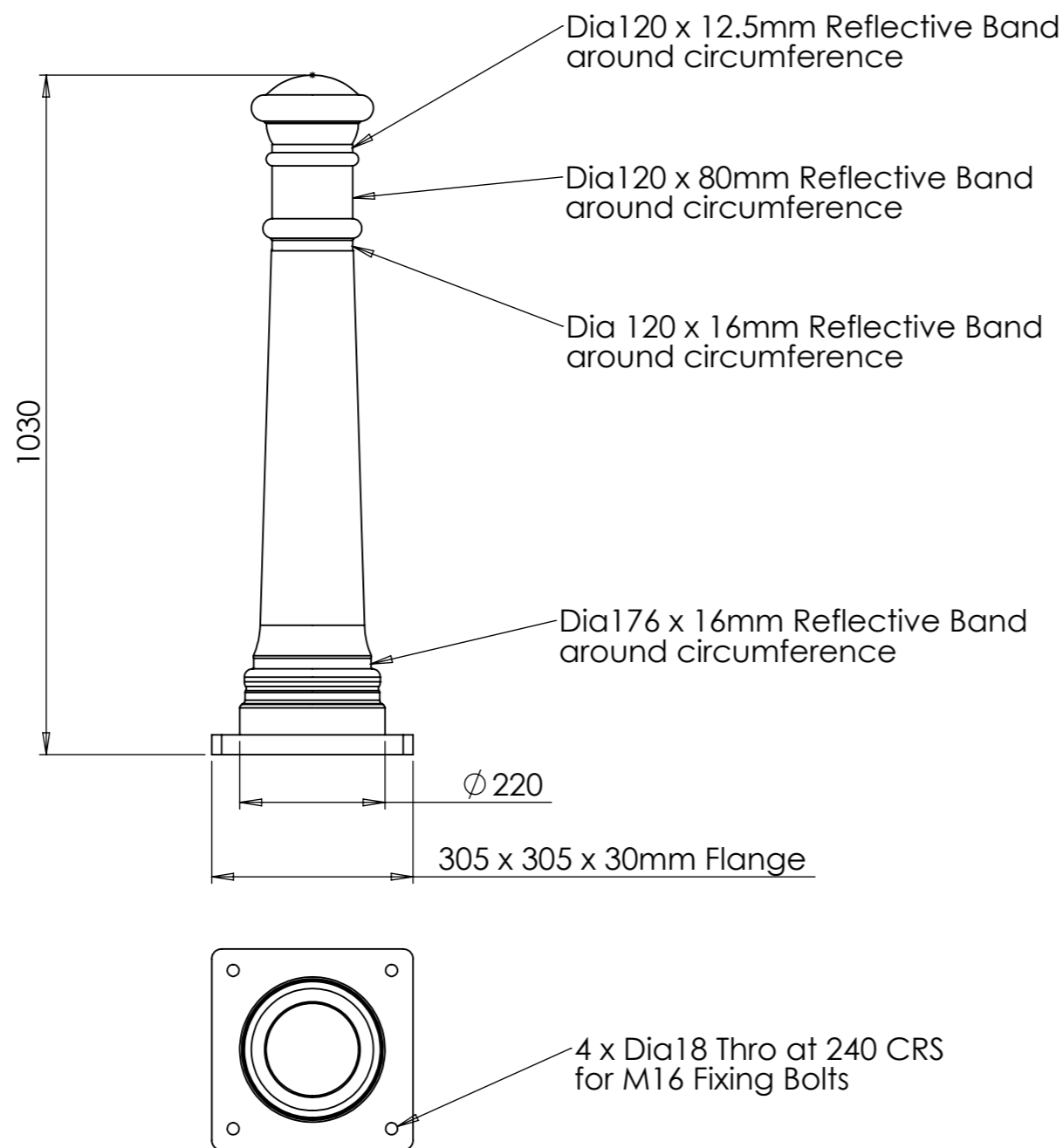
DIMS IN MILLIMETRES

BASED ON BS308

THIRD ANGLE PROJECTION



MODS
ISSUE
A
FIRST ISSUE



Material Notes

Standard Bollard - Icorene 3560
Reboundable Bollard - Impactapol 1901



Start Traffic Ltd
Unit 30 North Bank,
Berry Hill Ind Est
Droitwich, WR9 9AU
TELEPHONE
UK +44 (0)1905 794 875

TITLE
Manchester Bollard - Flange Mounted

MAT'L
See Note

FINISH
As Moulded

SCALE
DRN Ian Thomas

SCALE
CHKD
SEE TOP LEFT OF SHEET 1
FOR APPROVED SIGNATURE

DATE
26 July 2016

GENERAL M/C TOLERANCES
ANG DIMS: ± 1/2° METRIC: 5 ± 0.5mm
IMP. FRACTIONAL DIMS: ± 1/64" 5.0 ± 0.3mm
IMP. DECIMAL DIMS: ± 0.005 5.00 ± 0.1mm

DRG SIZE

A3

DRG No

P0035.0006, Rev A