

TECHNICAL CHARACTERISTICS

- > Length: 1800 mm
- > Seat depth: 398 mm
- > Overall height: 911 mm
- > Seat height: 540 mm
- > 30 x 50 mm tubular steel frame, thickness: 2 mm
- > With armrests, thickness: 8 mm
- > Base plates: 100 x 40 mm, thickness: 5 mm
- > 50 x 30 mm footrest
- > Recycled plastic* seat and backrest, thickness: 40 mm, slat width: 120 mm
- > Seat reinforced with a 25 x 6 mm galvanised steel cradle



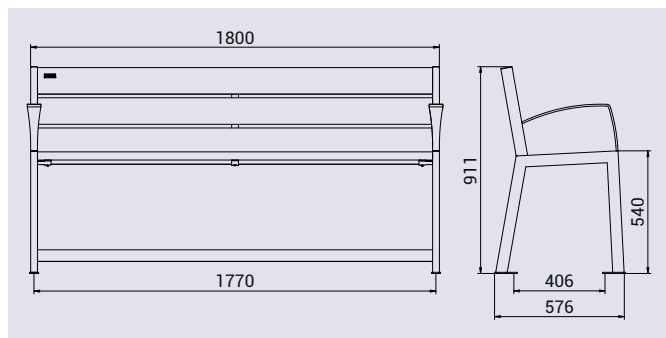
INSTALLATION

- > On base plates
- > Flat packed for self assembly (all wooden slats are pre-drilled for easy assembly)

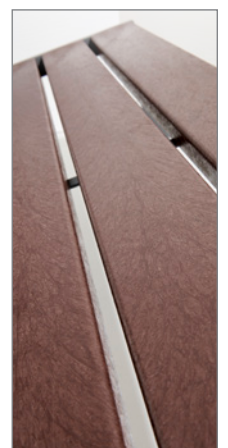
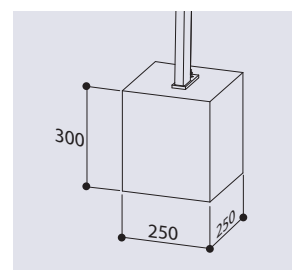
PRODUCT CODE

Steel and recycled plastic senior seat	209624
--	--------

DRAWING



INSTALLATION DRAWING



FINISH PAINTED

- > Frame: steel, zinc primed & painted in our colours
- > Brown recycled plastic* slats

RAL 3020	RAL 3004	RAL 5010	RAL 6005	RAL 8017	Recycled plastic
RAL 7044	RAL 9010	RAL 9005	PROACITY® Grey	Corten effect	