

TECHNICAL CHARACTERISTICS

- > Length: 1800 mm
- > Seat height: 450 mm
- > 30 x 50 mm steel tube frame, thickness: 2 mm
- > Recycled plastic* seat and backrest, thickness: 40 mm, slat width: 120 mm
- > Seat reinforced with a 25 x 6 mm galvanised steel cradle

Silaos® steel and recycled plastic seat:

- Overall height: 821 mm
- Seat depth: 398 mm
- Available in 5 or 6 slats
- With or without steel armrest, thickness: 8 mm
- Base plates: 100 x 40 mm, thickness: 5 mm

Silaos® steel and recycled plastic bench:

- Seat depth: 393 mm
- Base plates: 80 x 60 mm, thickness 5 mm



Code 209604



Code 209514



Code 209634

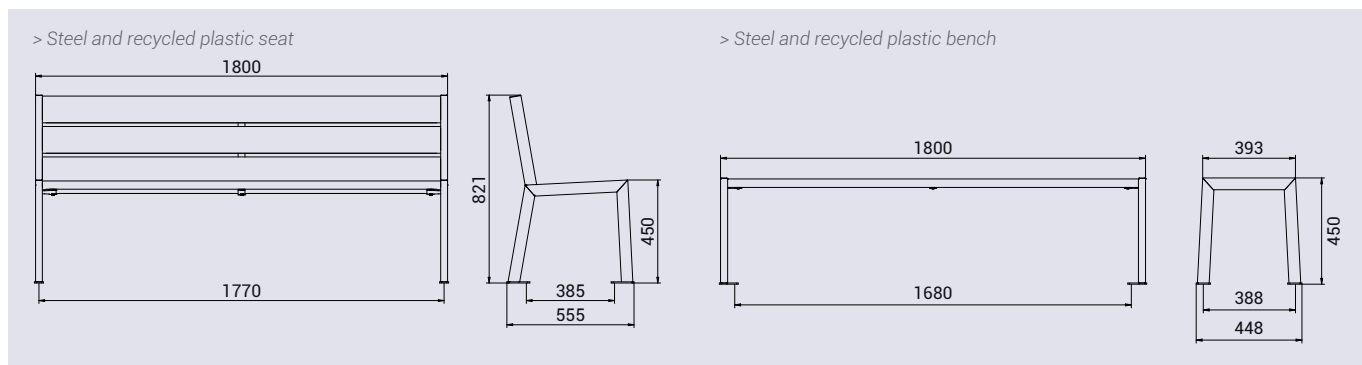
INSTALLATION

- > On base plates
- > Flat packed for self assembly (all wooden slats are pre-drilled for easy assembly)

PRODUCT CODES

	Without armrest	With armrests
Silaos® steel and recycled plastic seat		
Length 1800 mm - 5 slats	209504	209514
Length 1800 mm - 6 slats	209604	209614
Silaos® steel and recycled plastic bench		
Length 1800 mm	209634	-

DRAWINGS



FINISH PAINTED

- > Frame: steel, zinc primed & painted in our colours
- > Brown recycled plastic* slats



INSTALLATION DRAWING

