

TECHNICAL CHARACTERISTICS

- > Length: 1800 mm
- > Seat height: 446 mm
- > Seat depth: 390 mm
- > Overall height:
 - Riga steel and recycled plastic seat: 820 mm
 - Riga steel and recycled plastic bench: 446 mm
- > Frame: steel, width: 80 mm, thickness: 8 mm
- > Recycled plastic* seat and backrest, thickness: 40 mm, slat width: 120 mm
- > Seat slats reinforced with a 25 x 6 mm galvanised steel cradle



Riga steel and recycled plastic seat
Code 209685

INSTALLATION

- > On base plates
- > Flat packed for self assembly (all wooden slats are pre-drilled for easy assembly)

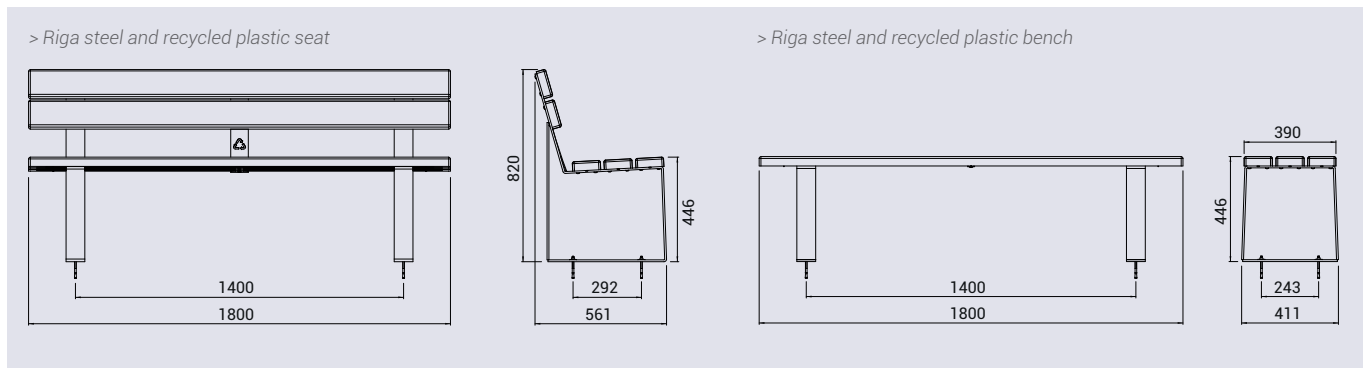
PRODUCT CODES

Riga steel and recycled plastic seat	209685
Riga steel and recycled plastic bench	209686



Riga steel and recycled plastic bench
Code 209686

DRAWINGS



FINISH PAINTED

- > Steel, zinc primed & painted in our colours
- > Brown recycled plastic* slat

