

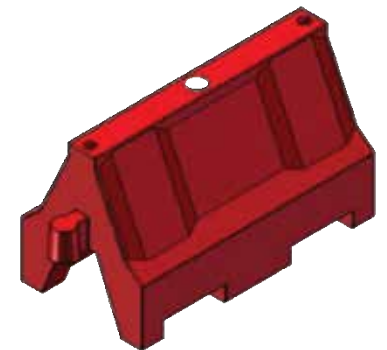
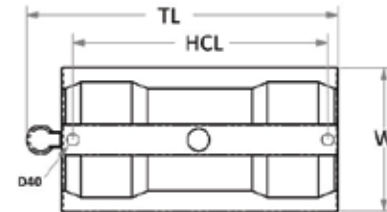
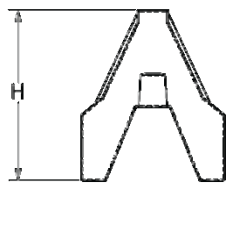
DATA SHEET
 1 / 5

EVO BARRIER SYSTEM

Rugged water filled barrier for traffic and pedestrian delineation

EVO BARRIERS

	EVO 80	EVO 1M	EVO 1.5M
PRODUCT CODE	RBEVO80	RBEVO	1.5RBEVO
WL	1200MM	1000MM	1500MM
W	400MM	400MM	400MM
H	800MM	555MM	555MM
TL	1300MM	1100MM	1600MM
HCL	1150MM	960MM	1450
WEIGHT E / F (KG)	9/29	6.3/26.3	10/30
PER PALLET	12	24	24
PER FULL LOAD	S:240 M:300	S:576 M:650	S:384 M:432
MATERIAL	UVM DPE	UVM DPE	UVM DPE
COLOUR	RED / WHITE	RED/ WHITE	RED/ WHITE



DATA SHEET

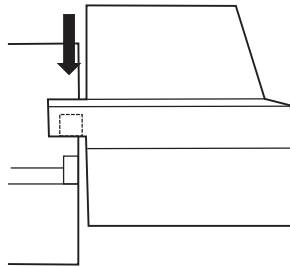
2 / 5

EVO BARRIER SYSTEM

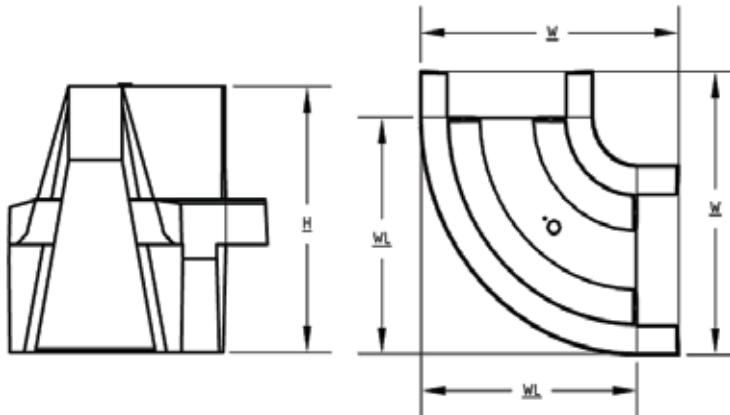
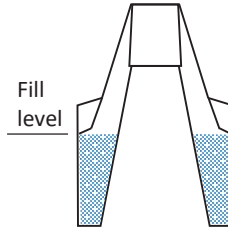
Rugged water filled barrier, fits onto either end of the 1 and 1.5m EVO barriers and provides a right or left hand 90 degree corner.



Align corner pocket over Barrier lugs to assemble



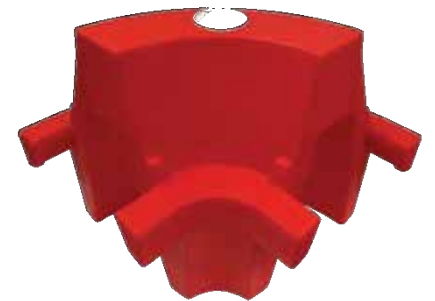
Fill both sides to pocket underside



EVO BARRIERS

EVO ANGLE

PRODUCT CODE	EVOA0016
WL	430MM
W	580MM
H	555MM
WEIGHT E / F (KG)	4.5 / 18.5 KG
PER PALLET	15
MATERIAL	UVM DPE
COLOUR	RED / WHITE



Sales
 Phone: 01905 794 875
 Email: sales@starttraffic.uk

DATA SHEET

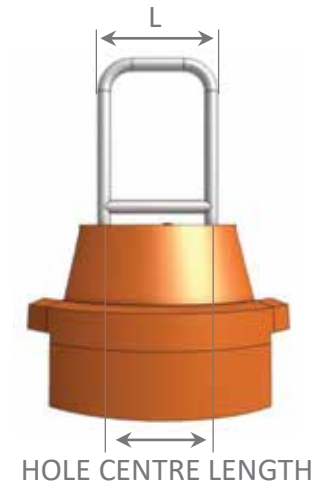
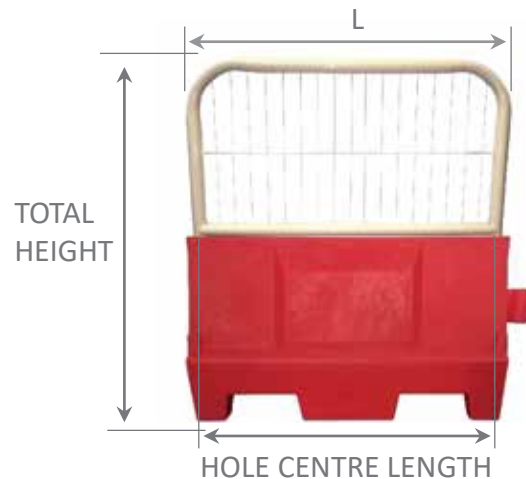
3 / 5

EVO BARRIER SYSTEM

Rugged water filled barrier for traffic and pedestrian delineation

MINI MESH PANELS

	EVO 80	EVO 1M	EVO 1.5M	EVO CORNER
PRODUCT CODE	EVO80MM	1EMM	1.5RBM	
L	1150MM	960MM	1450MM	380MM
W	40MM	40MM	40MM	40MM
TH	1325MM	1080MM	1080MM	1080MM
HCL	1110MM	920MM	1365MM	340
WEIGHT E / F (KG)	5KG	4.1KG	6.2 KG	2KG
PER PALLET	50	50	50	100
PER FULL LOAD	S:240 M:300 B&M:160	S:576 M:600 B&M:400	S:384 M:432 B&M:255	-
MATERIAL	STEEL POWDER COAT	STEEL POWDER COAT	STEEL POWDER COAT	STEEL POWDER COAT
COLOUR	WHITE	WHITE	WHITE	WHITE



DATA SHEET

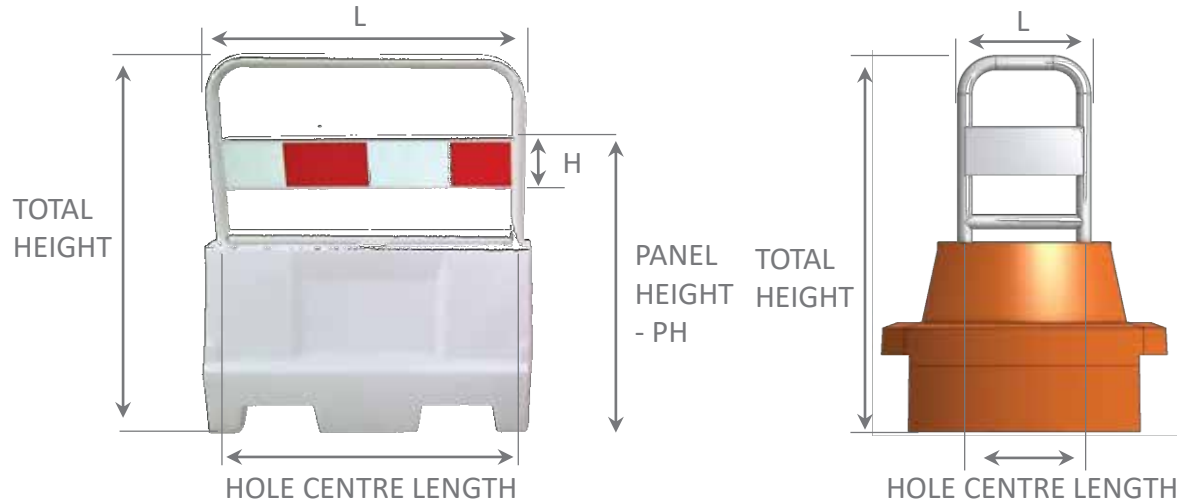
4 / 5

EVO BARRIER SYSTEM

Rugged water filled barrier for traffic and pedestrian delineation

MINI REFLECTIVE PANELS

	EVO 80	EVO 1M	EVO 1.5M	EVO CORNER
PRODUCT CODE				
L	1150MM	960MM	1450MM	380MM
W	40MM	40MM	40MM	40MM
H	790MM	790MM	790MM	790MM
HCL	1110MM	920MM	1365MM	340
WEIGHT E / F (KG)	5KG	4.1KG	6.2 KG	2KG
PER PALLET	50	50	50	100
PER FULL LOAD	S:240 M:300 B&M:160	S:576 M:600 B&M:400	S:384 M:432 B&M:255	-
MATERIAL	STEEL POWDER COAT	STEEL POWDER COAT	STEEL POWDER COAT	STEEL POWDER COAT
COLOUR	WHITE	WHITE	WHITE	WHITE



DATA SHEET

5 / 5

EVO BARRIER SYSTEM

Rugged water filled barrier for traffic and pedestrian delineation

POST / REFLECTIVE PANELS

	EVO 80	EVO 1M	EVO 1.5M	EVO CORNER
PRODUCT CODE	PP	PP	PP	PP
HCL	1220MM	1070MM	1540MM	-
PL	1220MM	1070MM	1540MM	1460
PH	1060MM	1060MM	1060MM	1060MM
H	139MM	139MM	139MM	139MM
TH	1150MM	1150MM	1150MM	1150MM
WEIGHT (KG)	1.56KG	2.4KG	2.8KG	2.7KG
PER PALLET	80	80	80	80
MATERIAL	POST MDPE / PANEL UVPVC	POST MDPE / PANEL UVPVC	POST MDPE / PANEL UVPVC	POST MDPE / PANEL UVPVC
COLOUR	WHITE	WHITE	WHITE	WHITE

