

Thank you for purchasing our  
**Cresco SRS Garden Seeder**



We're delighted to have you as a customer and are here to help!  
**First off, let's get your product assembled!**

**Scan for video aseembly:**



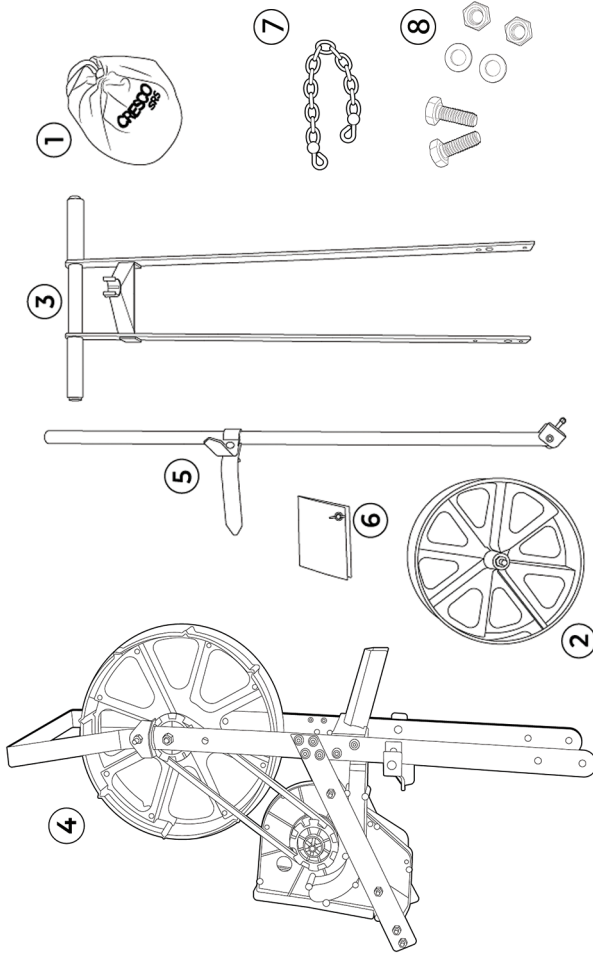
[www.crescospreaders.com/cresco-srs-information#](http://www.crescospreaders.com/cresco-srs-information#)

**Table of Contents:**

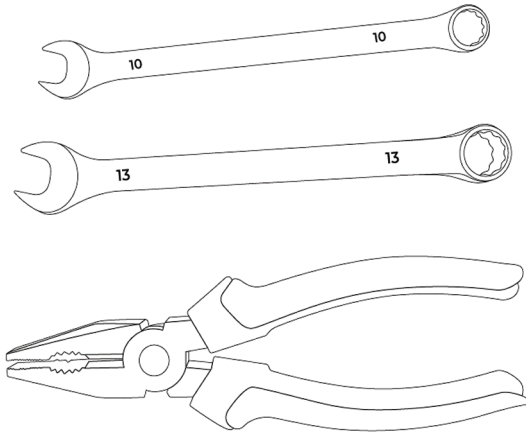
- 1) Parts and Tools Needed for Assembly
- 2-3) Assembling your Cresco SRS
- 4) Seed Plate Explanation
- 5) How to Use the Cresco SRS
- 6) 3 Year Limited Warranty



# Parts and tools needed **for assembly**



**You will need the following tools; 10 mm spanner, 13mm spanner and a pair of pliers.**



**Make your life easier!**

Scan the QR code to view our video assembly!

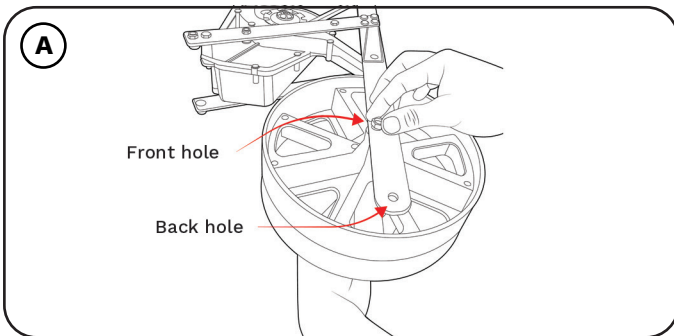


## **BOX CONTENTS:**

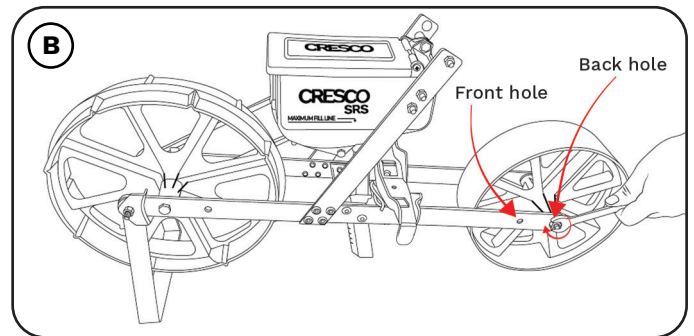
**Open the Cresco SRS box and layout all the contents on the floor. Count all items and make sure they are there.**

- |   |                                       |
|---|---------------------------------------|
| 1. Cresco SRS bag containing 10 seed plates | 5. Row marker arm                     |
| 2. Rear Wheel                               | 6. Depth Setting plough blade         |
| 3. Handle Section                           | 7. Chain                              |
| 4. Main Body with front wheel attached      | 8. M6 bolt x2, washer x 2, Stopnut x2 |

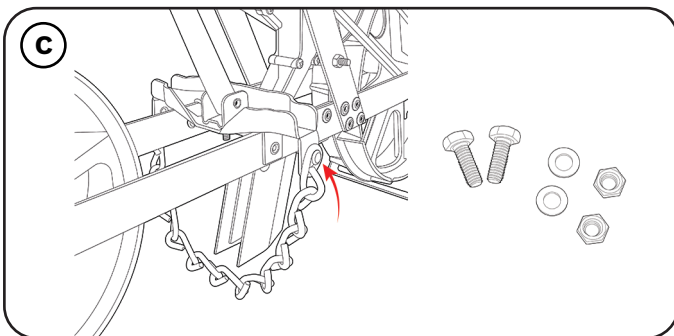
# Assembling your **Cresco SRS**



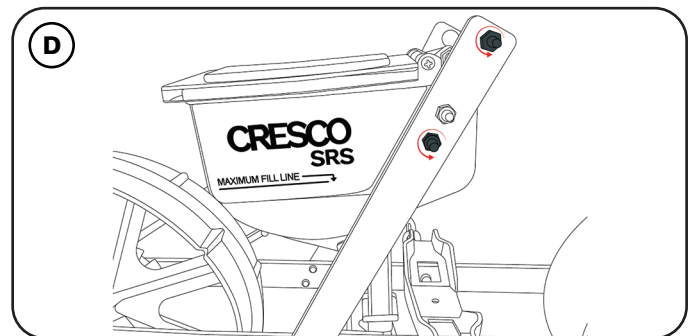
Remove the long bolt located through the middle of item 2 (rear wheel). Re attach the wheel to the back hole on item 4 (main body frame).



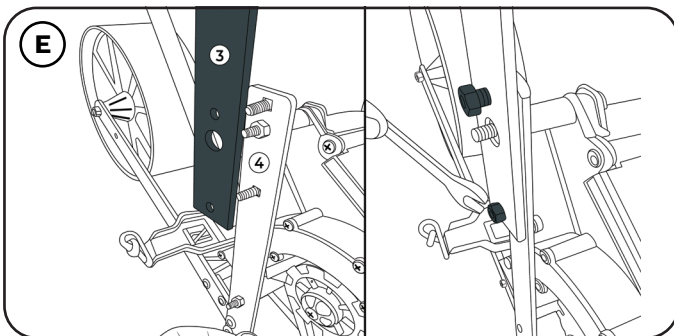
Align the centre hole of item 2 (Rear wheel) to the back hole of item 4 (main body frame). Tighten nut to secure item 2 (Rear wheel).



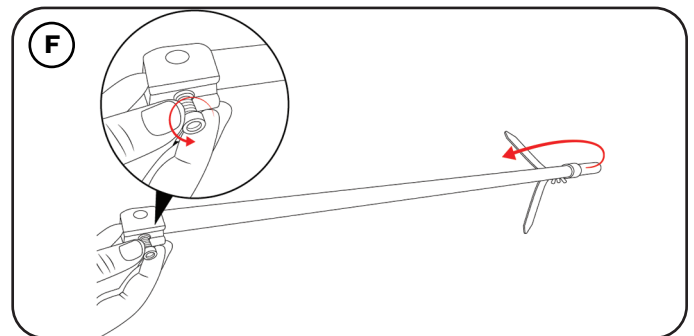
Using provided screws, washers and nuts, attach chain on both sides to the row marker mounting bracket as shown.



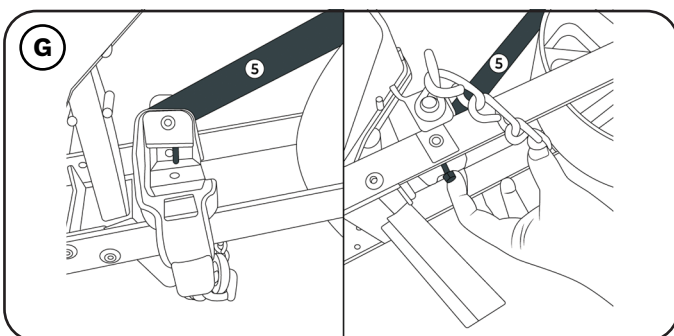
Remove the highlighted nuts from item 4 (main body frame). Remove the same nuts on the reverse side.



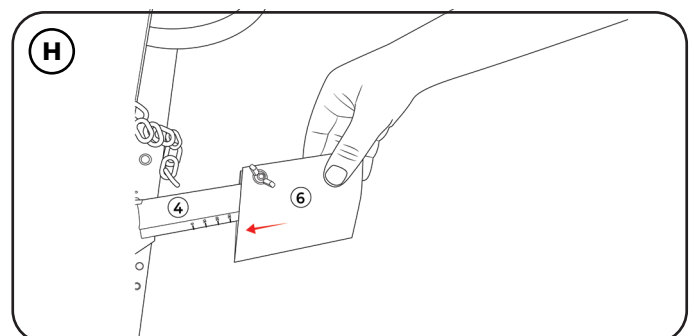
Align the holes of item 3 (Handle Section) with the bolts protruding from item 4 (main body frame). Place item 3 (handle section) onto item 4 (main body frame) and tighten the highlighted nuts.



Take item 5 (row marker arm) and remove the nut located at the bottom end.

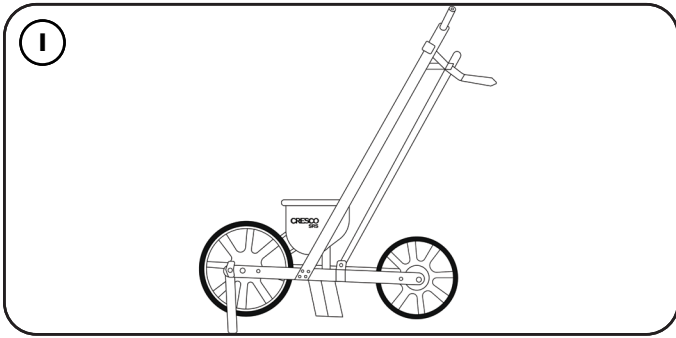


Place the bolt protruding from item 5 (row marker) into the hole shown on item 4 (main body frame). Secure item 5 (row marker) with the nut you removed in step E.



Take item 6 (Depth setting blade) and loosen the wing nut slightly. Slide item 6 (Depth setting blade) onto the depth marker protruding from the bottom of item 4 (main body frame).

## Assembling your **Cresco SRS**



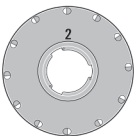

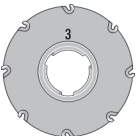





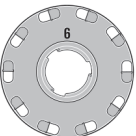

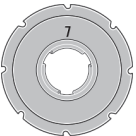





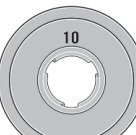


Your Cresco SRS seeder is now complete and you are ready to insert a seed plate.

# Seed Plate **Explanation**

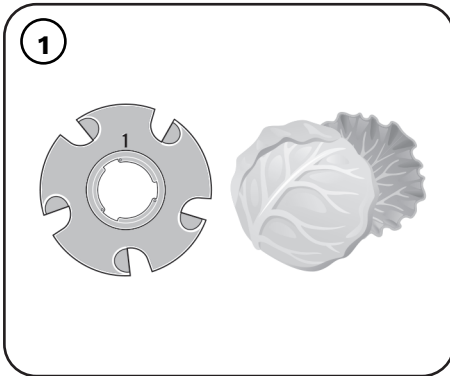
## IMPORTANT SEED PLATE INFORMATION:

- The Cresco SRS will travel 91.4cm for one revolution of the seed plate.
- Please see the custom seed fitting if you have a seed that does not fit any of the plates provided.
- Spacing changes can be made by filling every other seed hole with bees wax to reach the required spacing.
- To stop small seeds from becoming lodged behind the plate, wash the plate in soapy water and let it dry.

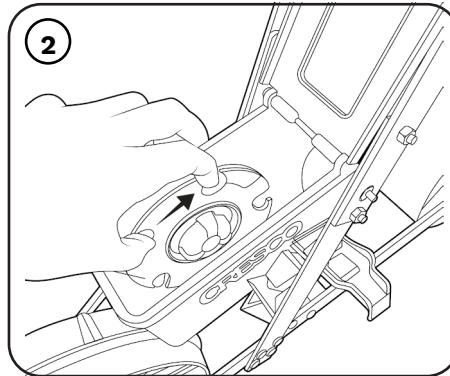
PLATES	VEGETABLES	DIMMENSIONS
<b>1</b>  <b>7.2" Spacing / 18.3cm</b>	 Corn on the cob	For seeds up to 9.5mm
<b>2</b>  <b>3" Spacing / 7.6cm</b>	 Medium radish    Leek    Asparagus    Spinach	For seeds up to 4.5mm
<b>3</b>  <b>4.5" Spacing / 11.4cm</b>	 Carrot    Lettuce    Turnips    Cabbage    Onions    Tomatoes	For seeds up to 3.5mm
<b>4</b>  <b>3.6" Spacing / 9.1cm</b>	 Beans    Small Peas	For seeds up to 11.5mm
<b>5</b>  <b>3" Spacing / 7.6cm</b>	 Peas	For seeds up to 14.5mm
<b>6</b>  <b>3.6" Spacing / 9.1cm</b>	 Okra    Swiss Chard	For seeds up to 6.5mm
<b>7</b>  <b>4.5" Spacing / 11.4cm</b>	 Carrot (small)    Lettuce (small)    Turnip    Cabbage (small)    Mustard (small)    Swede (small)	For seeds up to 4mm
<b>8</b>  <b>1" Spacing / 2.5cm</b>	 Broccoli    Mustard    Cauliflower    Turnip (small)    Swede	For seeds up to 2.5mm
<b>9</b>  <b>9" Spacing / 22.9cm</b>	 Cucumber	For seeds up to 8mm
<b>10</b>  <b>Blank seed plate for customers to cut themselves</b>		

# How to use the Cresco SRS

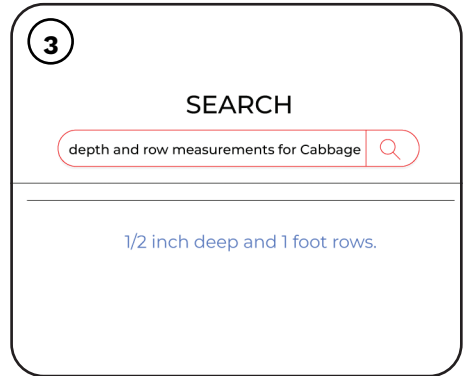
To use the Cresco SRS, please follow these simple steps:



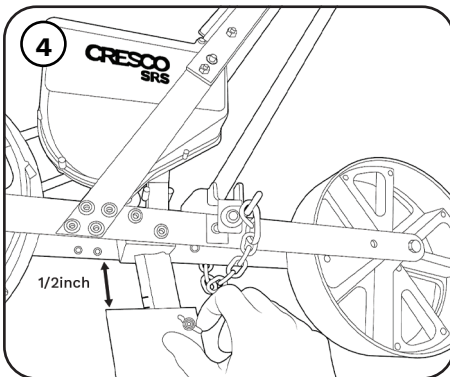
To find the correct seed plate, take a look at the back of the product box. For the purpose of this explanation, we will be planting a large cabbage which requires seed plate number one.



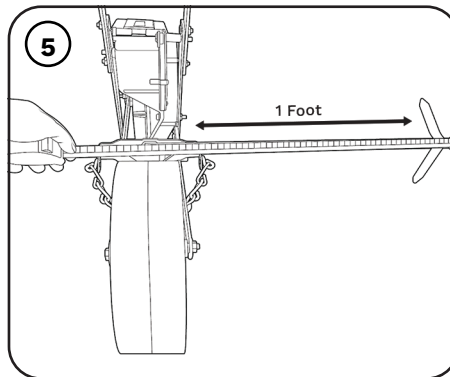
Insert the seed plate into the SRS hopper by placing it over the centre of the mounting and turning the plate clockwise to lock it into position.



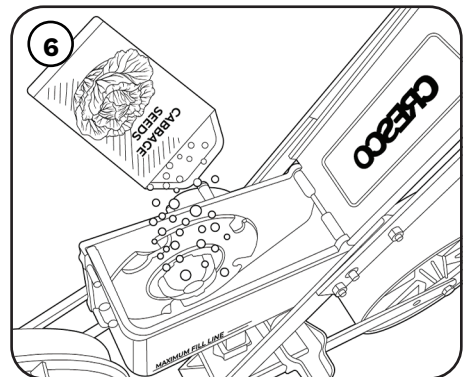
Select the required depth setting and row length. This information should be provided on your seed packet, but if not, simply look the information up online.



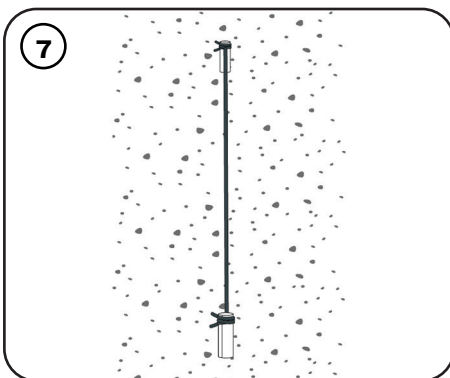
Adjust the depth setter to the recommended depth for your specific fruit or vegetable.



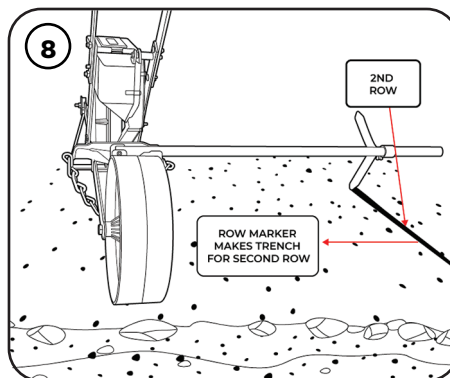
Adjust the row marker to the correct distance as shown.



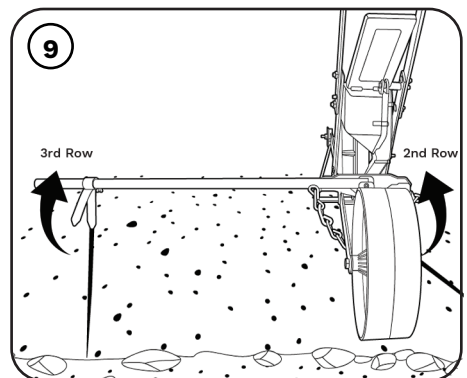
Empty the seeds into the hopper but make sure you do not exceed the maximum fill line. Overfilling can result in over application which will damage your yield.



The Cresco SRS is now ready to use. It is always best to mark out a straight line before commencing the first pass. An easy way to do this is to attach a piece of string to pegs at both ends of the tilth.



Engage the pre-set row marker. Push the SRS forward at a slow walking speed following the string you have marked out for your first row.

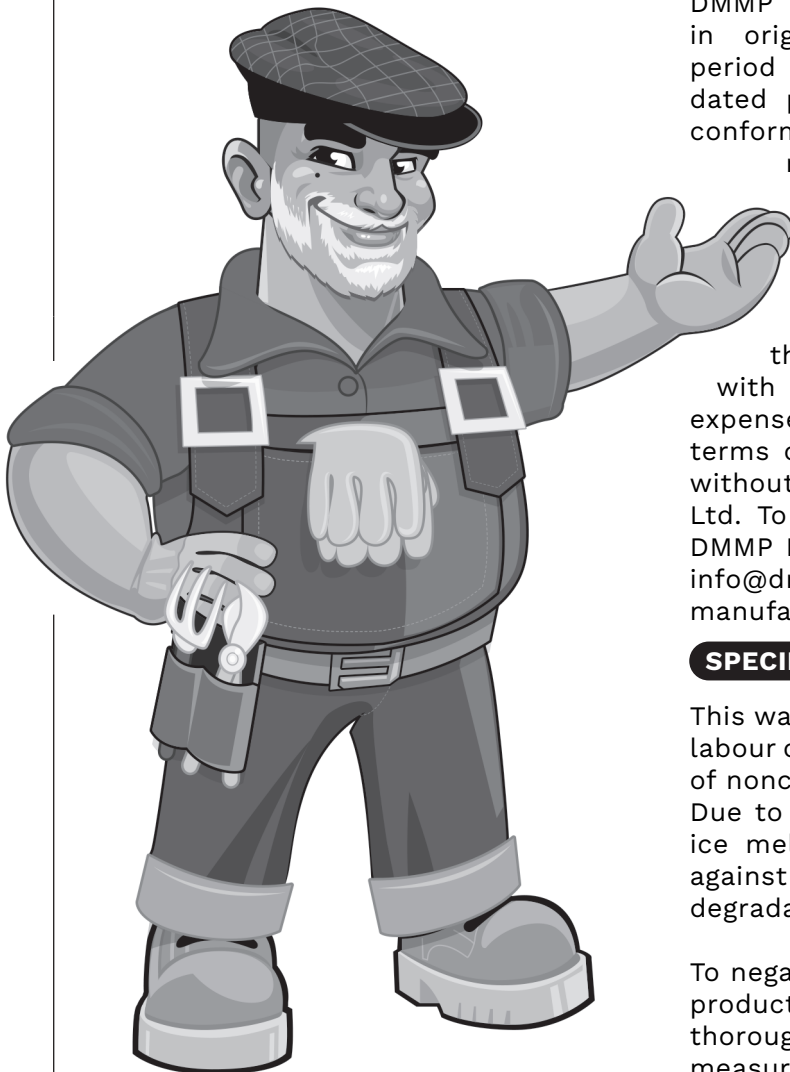


Stop at the end of the first run and place the marker back in its holder in the vertical position. The marker will have left a trail to be followed for the next seeding row (2nd Row). Now place the marker on the opposite side (on your left) and push the seeder along the track made by the marker on your first run (2nd Row).

## After use

There is no significant maintenance required on the S.R.S. Between uses it is recommended the seed plate in the hopper be removed. To remove or change over the seed plate in the hopper simply hold the plate and turn it anti clockwise, it will then release. Do not store with seed in the hopper always empty it out to prevent seed decomposing in the hopper over a storage period. It is advisable to clean the inside of the hopper ready for the next use. Store the Cresco SRS and the seed plates bag in a safe dry place ready for future use.

## 3 Year Limited Warranty



DMMP Ltd. warrants this product free of defects in original workmanship and materials for a period of 3-Years to the end user with the original dated purchase receipt. If a manufacturing non-conformance is found, DMMP Ltd. will repair or replace the part(s) or product at its discretion at no charge provided the failure is not the result of incorrect installation, mishandling, misuse, tampering, or normal wear and tear as determined by DMMP Ltd. DMMP Ltd. at its discretion may require that the part(s) or product be returned along with the original purchase receipt at owners' expense for examination and compliance with the terms of this warranty. Do not return any product without first receiving authorization from DMMP Ltd. To seek remedy under this warranty, contact DMMP Ltd. at +44 (0)1455 825 400 or email us at [info@dmmp.co.uk](mailto:info@dmmp.co.uk) and describe the nature of the manufacturing defect.

### **SPECIFIC LIMITATIONS:**

This warranty covers only the part(s) or product; any labour charges associated with repair or replacement of nonconformances are specifically excluded. Due to the corrosive nature of most fertilizers and ice melt products, DMMP Ltd makes no warranty against and specifically excludes part(s) or product degradation or failure due to corrosion or its effects.

To negate the effects of corrosive materials on your product, clean and dry your spreader or seeder thoroughly after each use. As a further preventative measure, coat all metal parts with a light oil or silicon spray.

