

Thank you for purchasing our

Cresco 30SWS Fertilizer and Salt Spreader | Semi-Assembled



We're delighted to have you as a customer and are here to help! First off, let's get your product assembled!

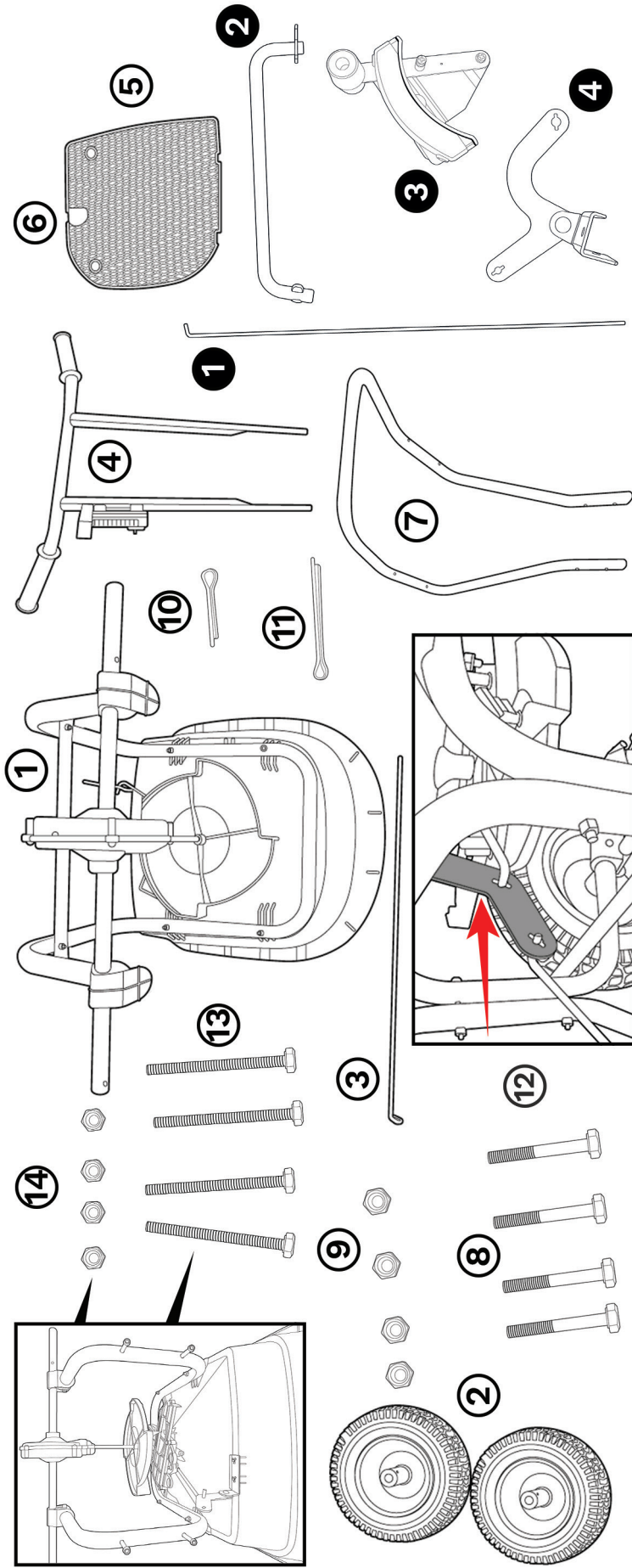
Table of Contents:

- 1:** Spare Parts
- 2:** Slide System Explanation
- 3-5:** Assembling your Cresco 30SWS
- 6-8:** Remote Border Control Assembly
- 9-11:** Slide System Explanation
- 12-15:** How to Use the Cresco 30SWS
- 16:** Application Guide for Fertilisers
- 17:** Warranty

Scan for video assembly:



Spare Parts



Empty all contents of the box onto a flat surface and count parts to make sure all are there.

CRESCO 30 PARTS LIST:

- 1 Hopper Body & Frame
- 2 Pneumatic Wheels
- 3 Control Rod
- 4 Handle Bar
- 5 Mesh Grill
- 6 Mesh Grill Lock
- 7 Back Stand
- 8 4 x M6 x 45 bolts
- 9 4 x M6 lock nuts
- 10 Small Cotter Pin
- 11 Large cotter pin
- 12 Pivot Bracket
- 13 4 x M6 x 65 bolts
- 14 4 x M6 lock nuts

BORDER CONTROL PARTS LIST:

- 1 Remote Control Rod
- 2 Pivot Rod with R Pin
- 3 Gauge Assembly
- 4 Pivot Bracket

Border Control
Assembly Video



CR30SWS
(Spare Parts)



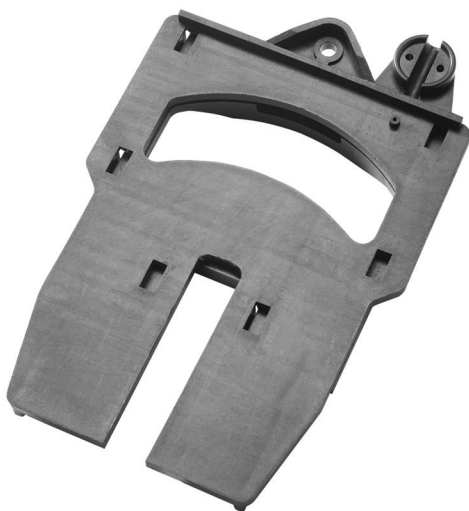
Slide System **Explanation**

***** VERY IMPORTANT *****

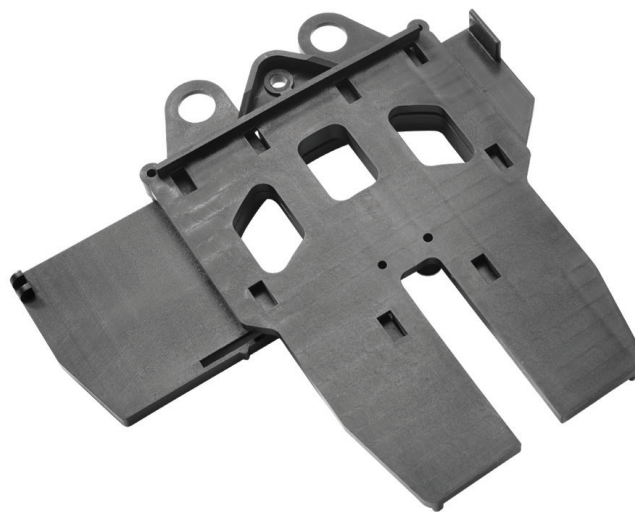
Your Cresco spreader comes with two different application sliders.
One is for **winter** and the other is for **summer!**



**DO NOT SPREAD FERTILIZER
WITH THE WINTER SLIDER**



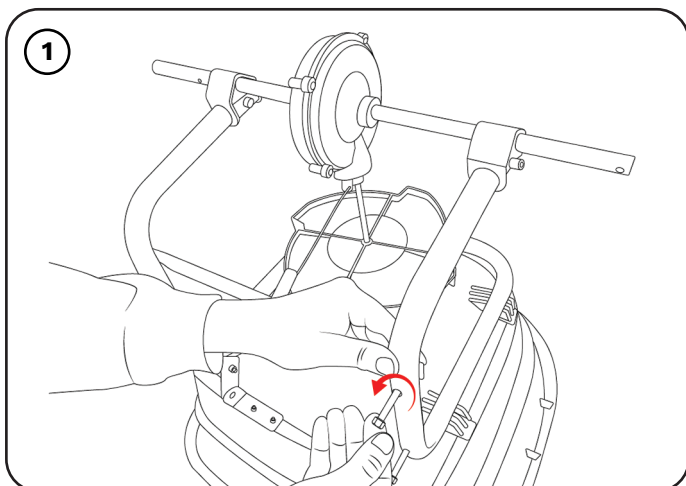
Winter Slider



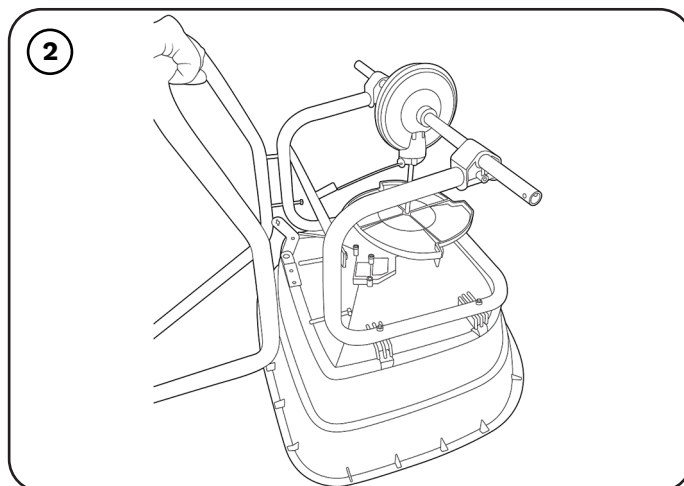
Summer Slider

Please locate and choose your slider.

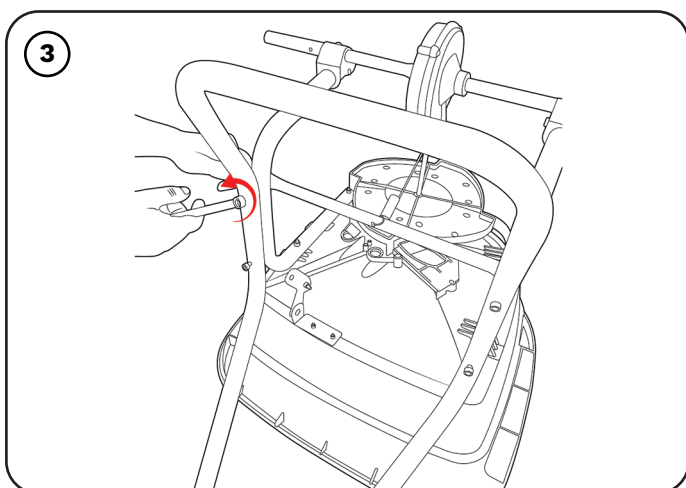
Assembling your **Cresco 30SWS**



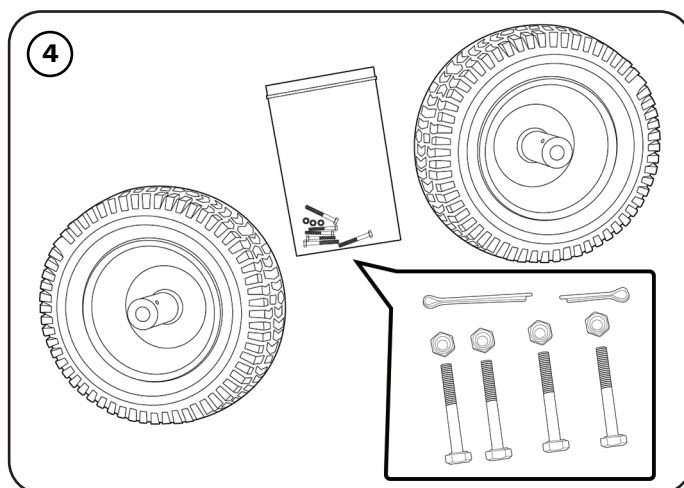
Place the Hopper body (1) on the table so that the gearbox is pointing upwards. Take the bolts out of the main frame (1) - you will use these to attach the backstand to the hopper body and main frame (1). Remove the nuts from the bolt ends.



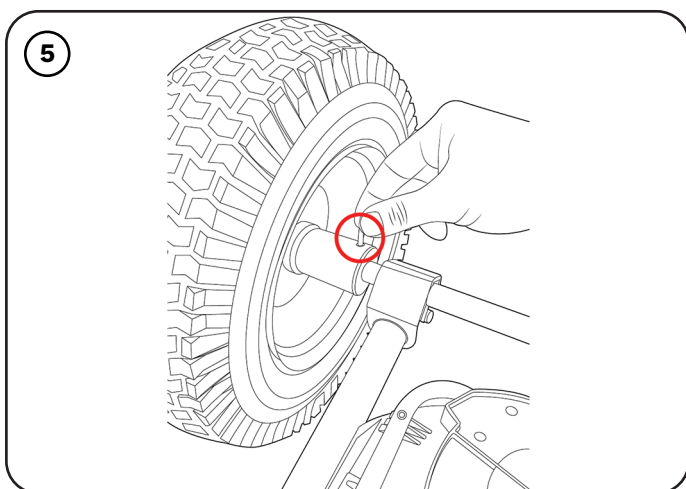
Take the backstand (7) and align it with the holes on the main frame (1). Place the four bolts through the holes available.



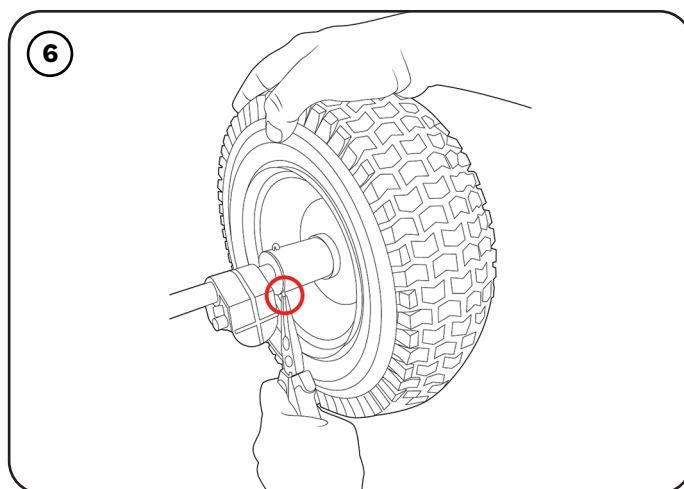
Use a spanner to tighten the lock nuts. The backstand (7) should now be securely attached to the hopper body and frame. (1).



Take the pneumatic wheels (2) and slide them over the axles on each side of the main frame (1). You will also need the two cotter pins (10 & 11) that sit inside the parts bag.

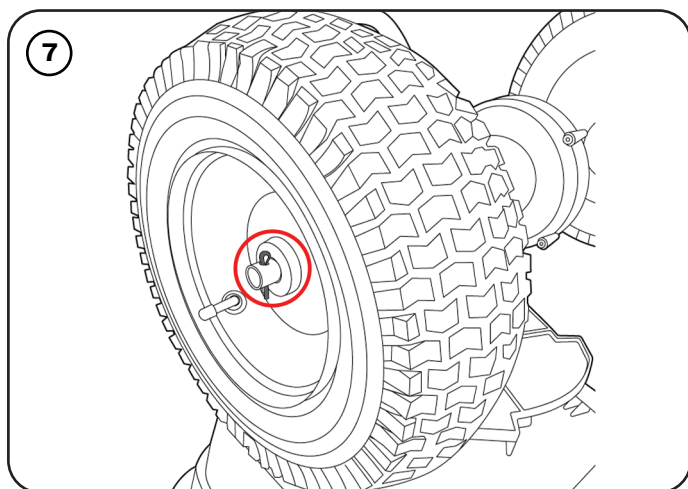


Align the hole on the inside of the pneumatic wheel (2) with the hole on the axle. Take the large cotterpin (11) and thread it through the two holes.

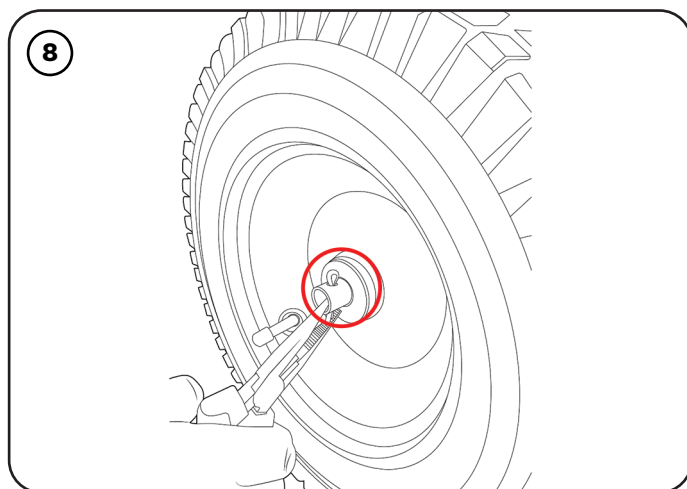


After threading the cotter pin (11) through the two holes, use a pair of pliers to pull apart the two ends of the cotter pin (11). The wheel will then be secured in place.

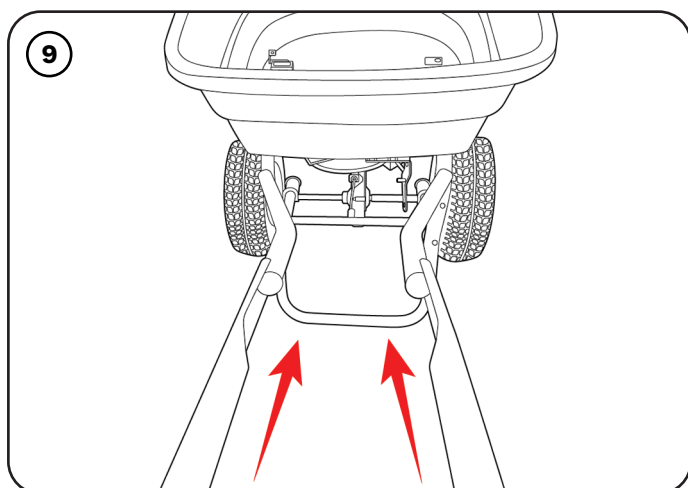
Assembling your **Cresco 30SWS**



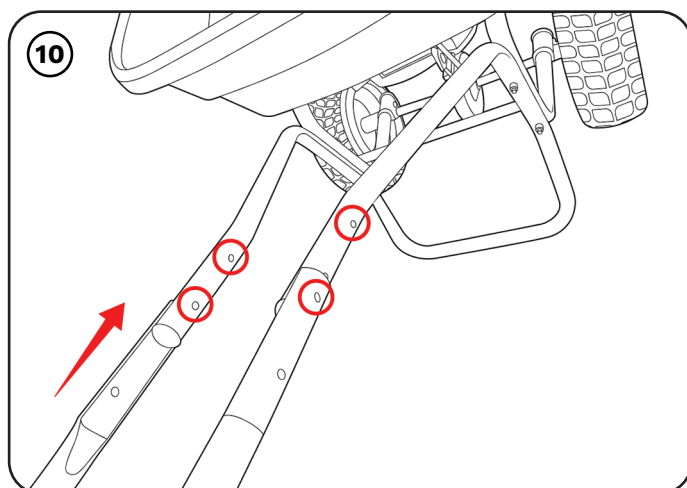
Take the small cotterpin (10) and place it through the hole on the outside of the other wheel.



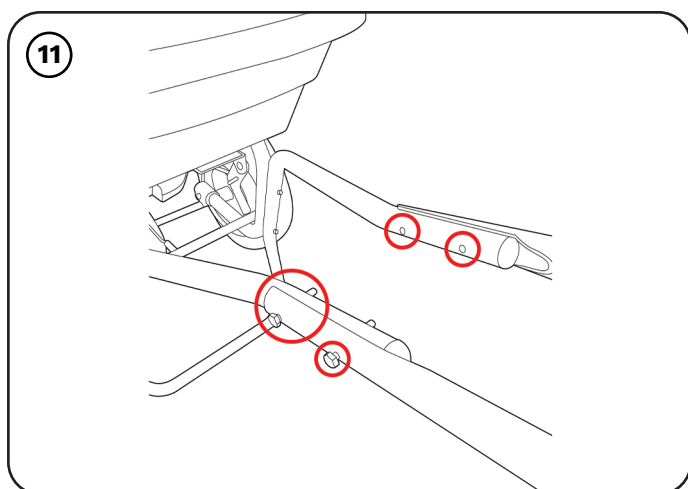
Once in position, use the same pliers to split the ends of the cotter pin (10) to hold the wheel in place.



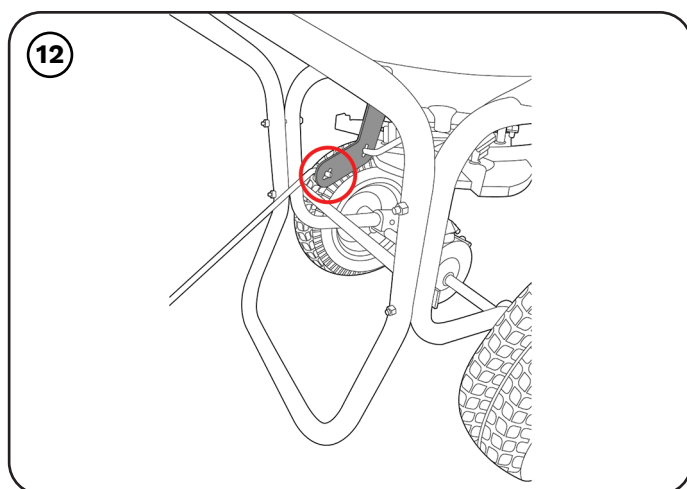
Turn the hopper body and main frame (1) over so that the spreader sits on its wheels and backstand. Take the handle bar and slide it down the two ends of the backstand.



Align the holes on the handle bar and on the back stand (7).

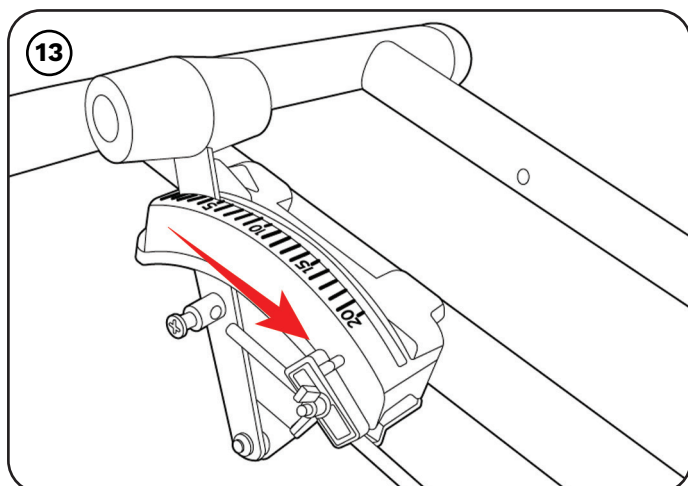


Thread the four remaining bolts (8) through the holes on the handle bar (4) and the back stand (7).

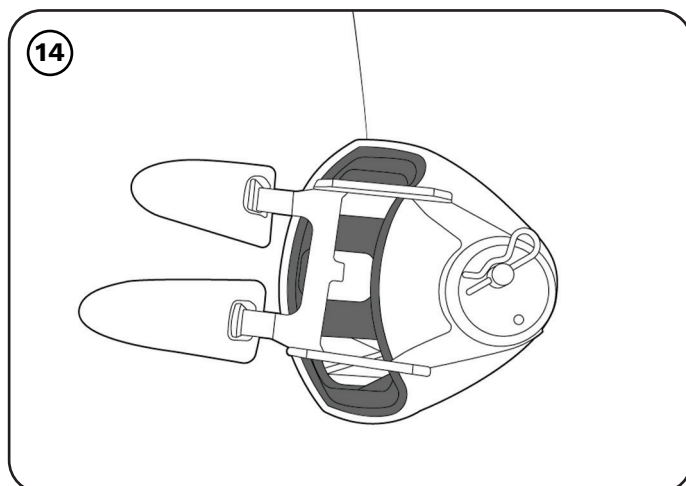


Take the bent end of the control rod (3) and thread it through the hole at the back of the pivot bracket (12). It should lock into place.

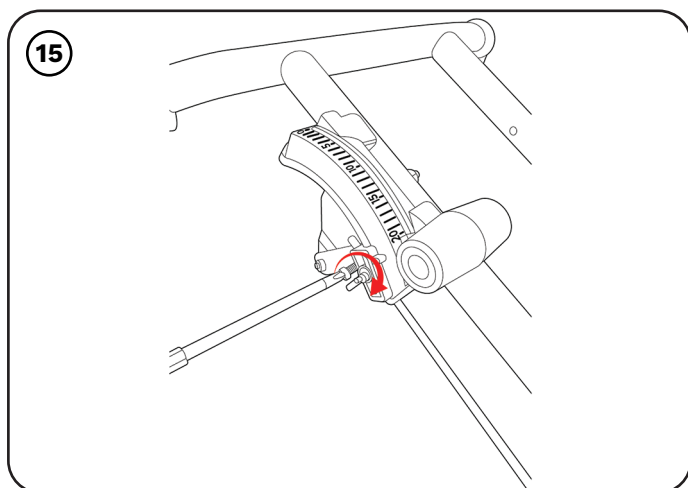
Assembling your **Cresco 30SWS**



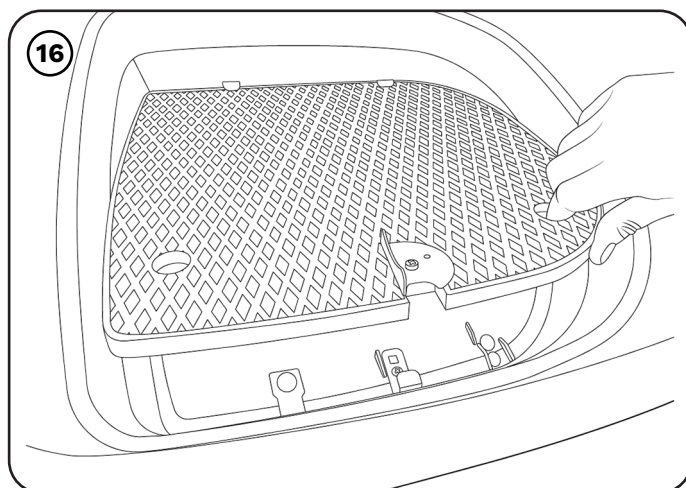
Take the other end of the control rod (3) and align it with the hole on the on/off mechanism of the handle bar (4). Push the on/off lever all the way to 20 and then hand tighten the screw.



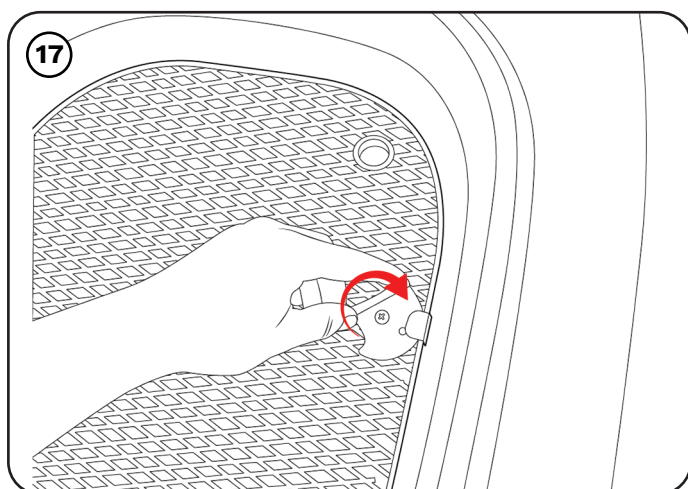
Make sure the slider at the bottom of the hopper is fully open. You should see the entirety of the holes or hole on the slide system.



If the application hole is fully open and the lever is set at 20, tighten the screw so that the control rod (3) is secure.

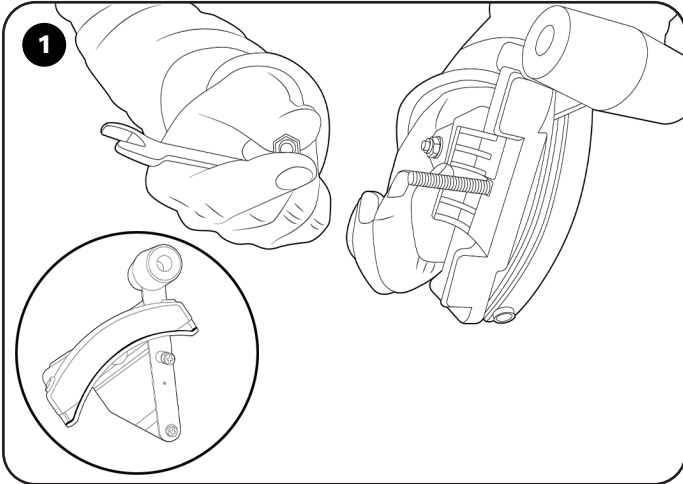


To fit the mesh grill (5) to the hopper, place the side which doesn't have the mesh grill lock (6) on in the brackets provided on the far side of the hopper.

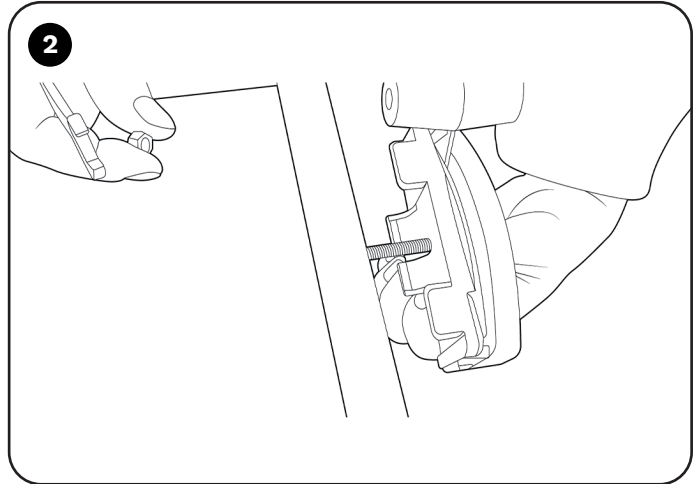


Lock the grill (5) in place by turning the mesh grill lock anti-clockwise (6).

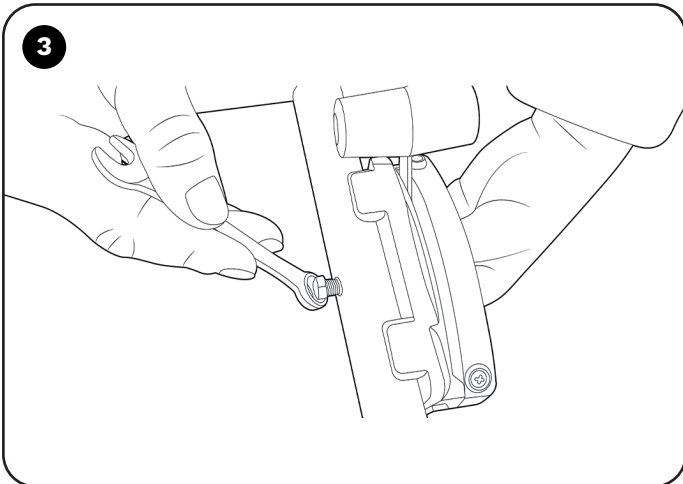
Remote Border Control Assembly



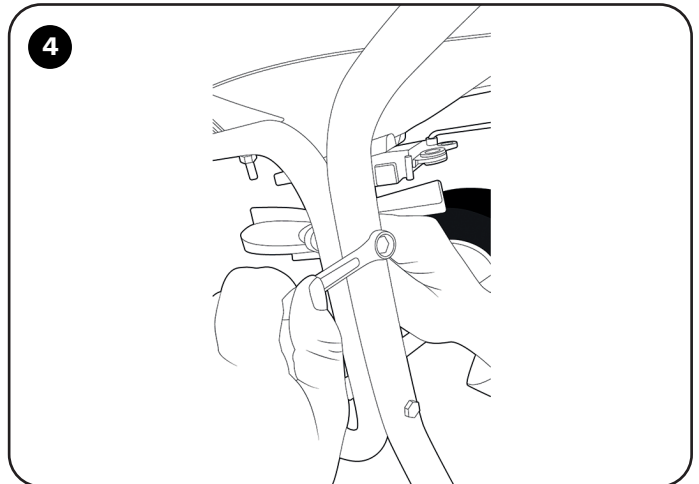
Take the gauge assembly.



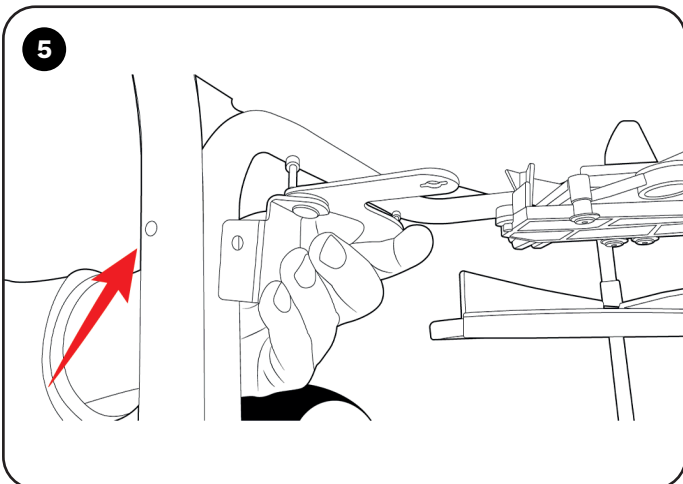
Place the gauge assembly on the 3 outside of the tube and locate the bolt through the tube. **Note: This is locating onto the left side handle.**



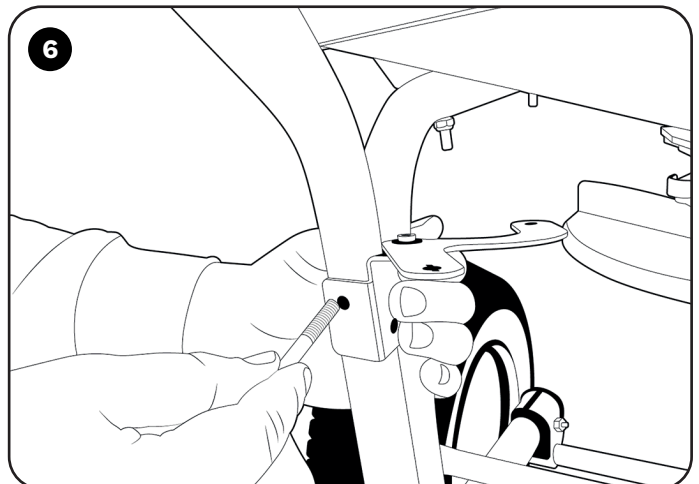
Tighten lock nut onto bolt to secure gauge assembly in place.



Loosen the two bolts holding the left side of the back stand to the main frame, removing completely the upper bolt.

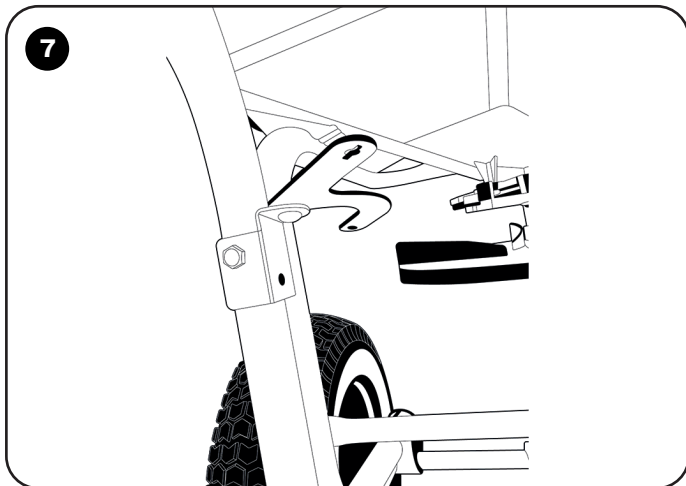


Insert the pivot bracket on the back stand.

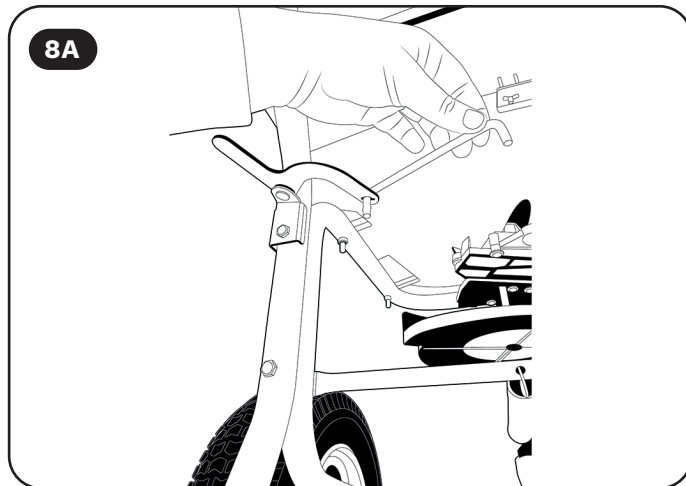


Re-introduce the bolt and tighten the lock nut. Re-tighten the lower bolt and nut.

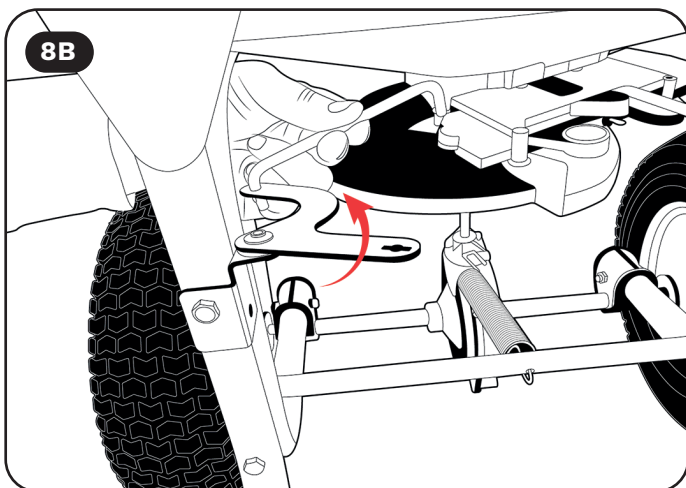
Remote Border Control Assembly



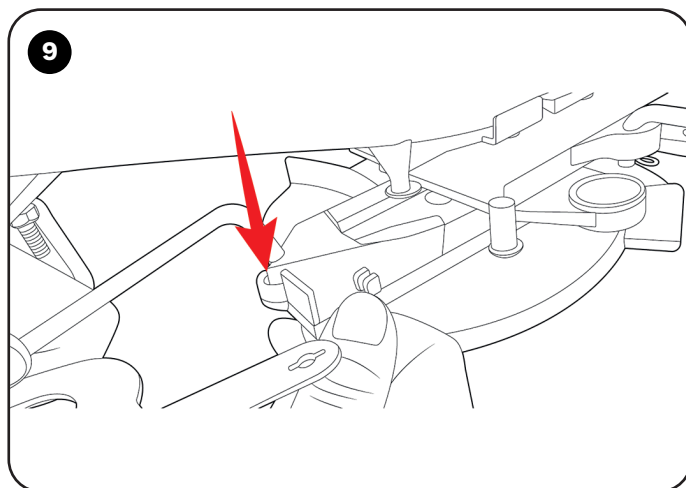
7
The pivot bracket should now be securely in place as shown.



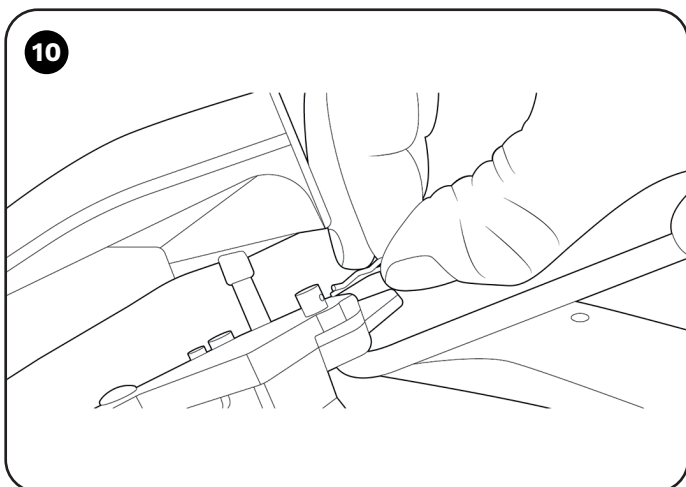
8A
Locate the pivot rod end through the hole in the pivot bracket as shown.



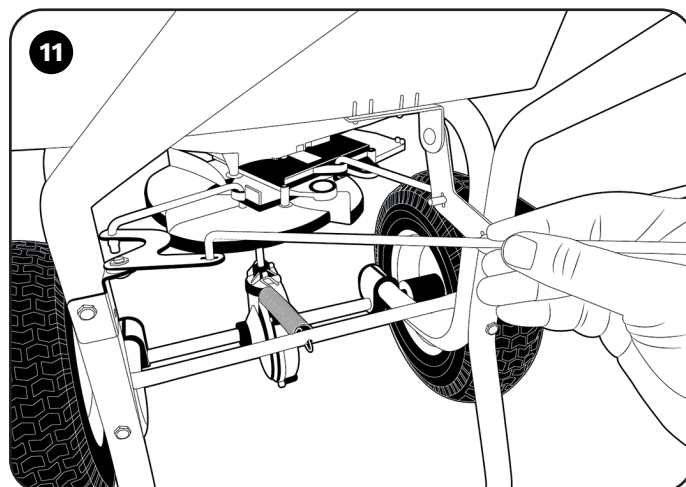
8B
Push the pivot as far in as possible to allow you to connect the rod into the the bracket and border control.



9
Place the free end of the pivot rod through the available hole on the end of the border control slider.

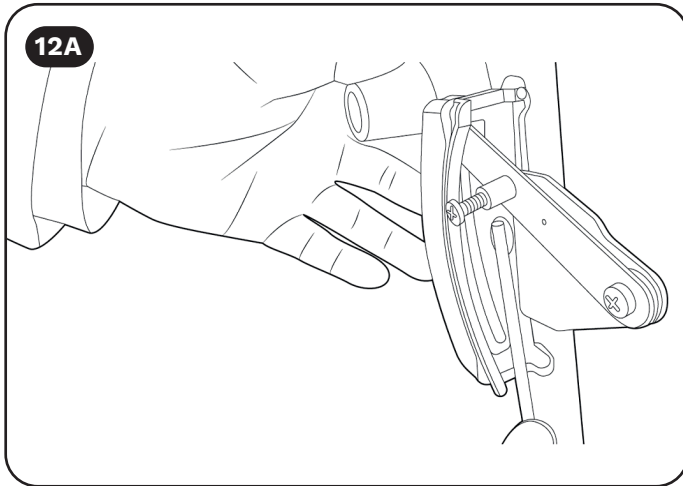


10
Secure the end of the pivot rod in place with the R pin as shown.

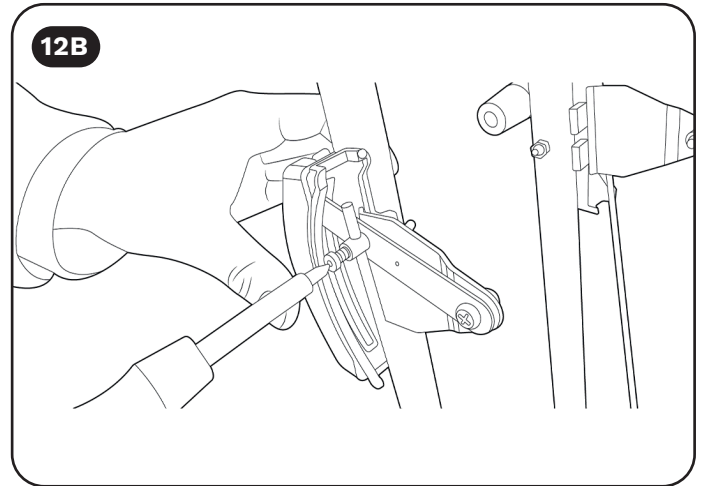


11
Locate the remote control rod L shaped end and place into the free hole in the pivot bracket.

Remote Border Control Assembly



Place the other end of the remote control rod through the adjuster screw assembly on the underside of the gauge assembly.



Put the gauge assembly lever in the off position. The border control sliding plate needs to also be in the off (disengaged) position. With the plate being pushed in, tighten the adjuster screw as shown to secure the remote control rod to the gauge assembly.

Slide System **Explanation**

Winter

For spread width 6 meters.



Pavement setting (2 meters).



Ice Melts

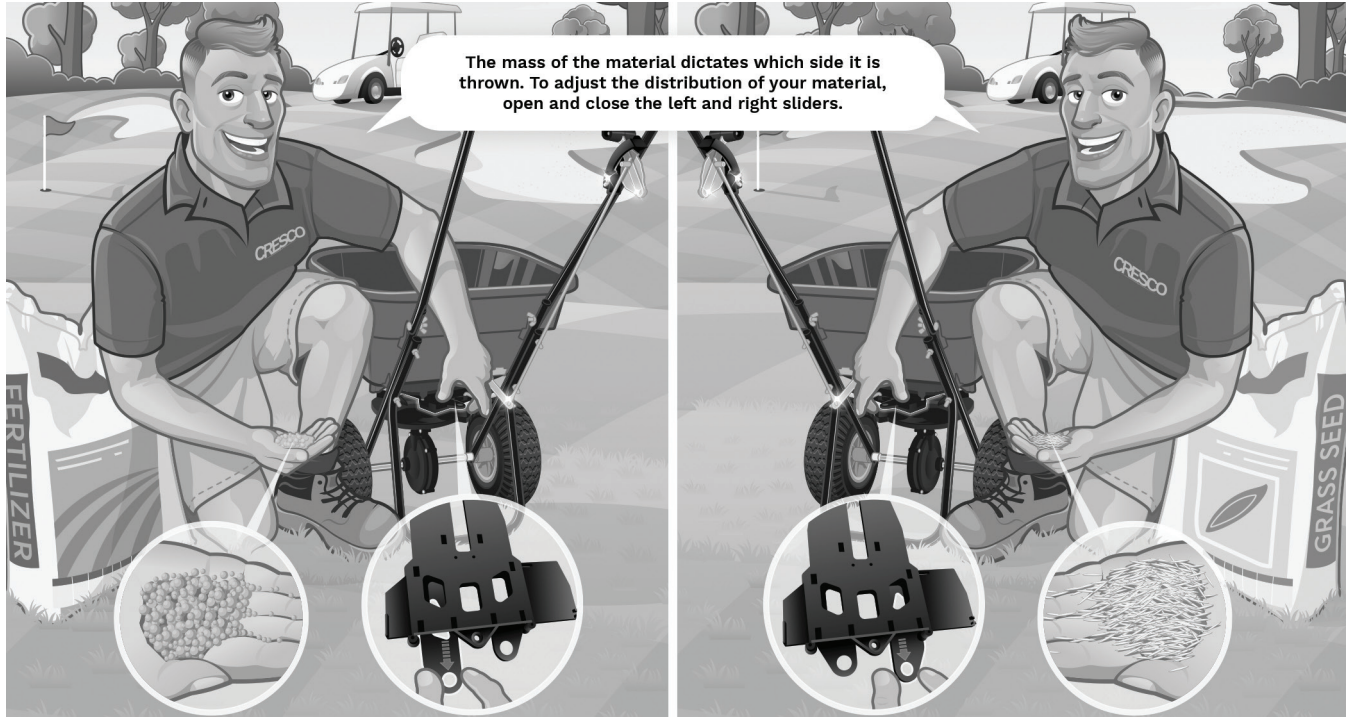


Summer

The summer slide system comes with 20 different settings and a border control. This slider provides control over the accuracy of your spreading.

Large/Heavy Materials

Small/Light Materials



Border Control



To protect your borders simply slide the border control into position to cut off the left hand side of the spread pattern.

Slide System **Explanation**



**SLIDE-SYSTEM
TECHNOLOGY
SETTINGS**

**TWO SEASONS.
ONE SPREADER.**



PRODUCT		SUMMER SLIDER	SLIDER ADJUSTER SETTINGS	
	POWDERED OR MICRO GRANULAR FERTILIZER		NO ADJUSTMENT OF EITHER SLIDER RECOMMENDED	
	MEDIUM GRANULAR FERTILIZER		NO ADJUSTMENT OF EITHER SLIDER RECOMMENDED	
	LARGE GRANULAR FERTILIZER		ADJUSTMENT OF THE LEFT SLIDER RECOMMENDED 6-7 CLICKS	
	GRASS SEED OR VERY LIGHT MATERIALS		ADJUSTMENT OF THE RIGHT SLIDER RECOMMENDED 3-4 CLICKS	
	PELLETED MATERIALS		ADJUSTMENT OF THE LEFT SLIDER RECOMMENDED (SELECT CLOSED)	
	LARGE GRANULAR ICE MELTS		ADJUSTMENT OF THE LEFT SLIDER RECOMMENDED (SELECT CLOSED)	
WINTER SLIDER				
** Please note this chart is a guide only. Due to variations in the spreading characteristics of materials, accurate calibration should be carried out by the operator for each different material being applied.**				
	SHARP SAND		FULL OR REDUCED WIDTH SLIDER OPTION RECOMMENDED	
	FLOWABLE SAND / SOIL MIX		FULL SLIDER WIDTH USE RECOMMENDED	
	COARSE MARINE SALT		FULL OR REDUCED WIDTH SLIDER OPTION RECOMMENDED	
	ROCK SALT		FULL SLIDER WIDTH USE RECOMMENDED	
	GRIT MATERIALS		FULL SLIDER WIDTH USE RECOMMENDED	

WWW.CRESCOSPREADERS.COM

DMMP Limited is not responsible for misapplication due to incorrect use or incorrect calibration of Cresco spreaders, and any other DMMP Limited spreader brands.

For calibration information please refer to "how to calibrate" section on the Cresco website.

How to use the **Cresco 30SWS**

How to Apply Fertilizer to your lawn like a pro in four steps!

Step 1: Understanding the application rate and settings

Step 2: Preparing the Spreader

Step 3: Walking Patterns for the optimum application

Step 4: Cleaning & Maintenance

Step 1: Understand the application rate and settings

Application Rate Settings

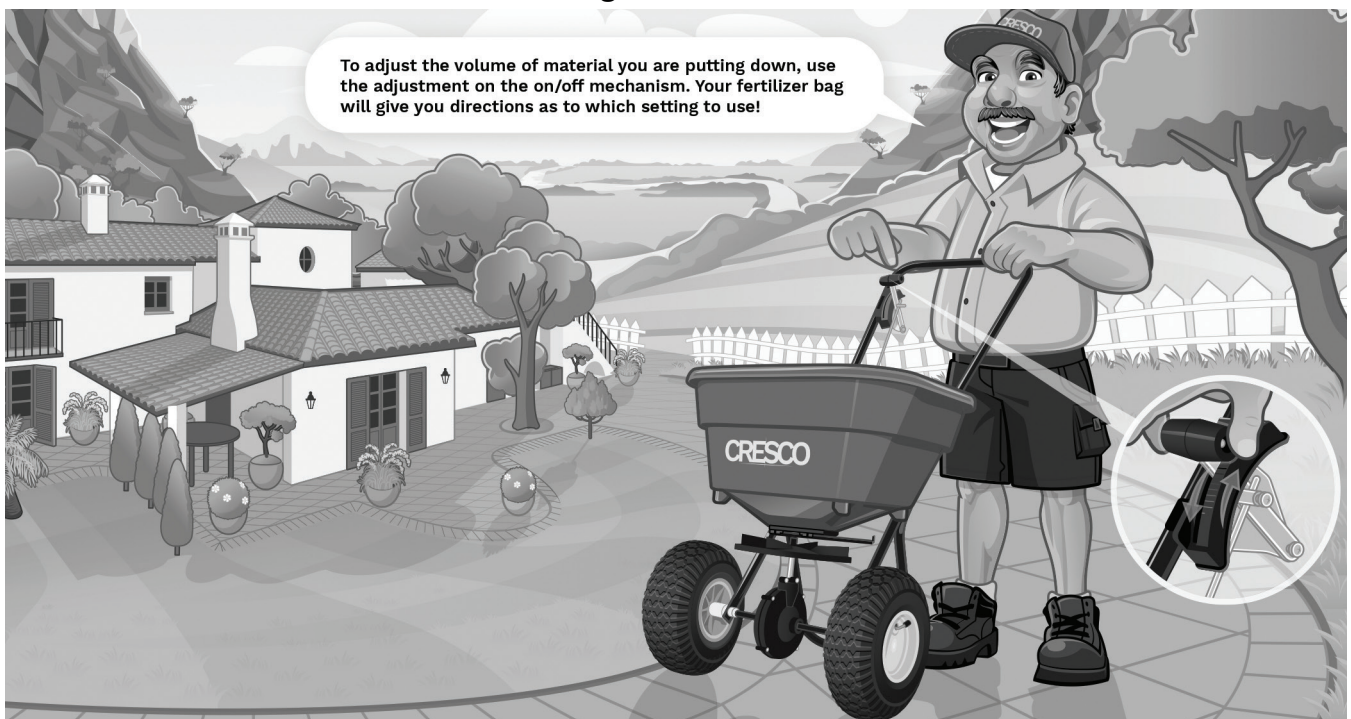
Check the back of the fertilizer bag to find out the recommended G/m² and spreader application setting.



If the spreader setting is not on the back of the bag, please get in touch with your fertilizer bag provider.



Set the handle to the correct setting.



If you are unable to find the required Cresco volume setting, please visit, www.crescospreaders.com

How to use the Cresco 30SWS

Spread Pattern Settings

Once you have the correct application rate, you will need to check that the spread of material is even on both sides of the spread pattern.

To balance the spread pattern for your material, check online or with your fertilizer or seed provider.

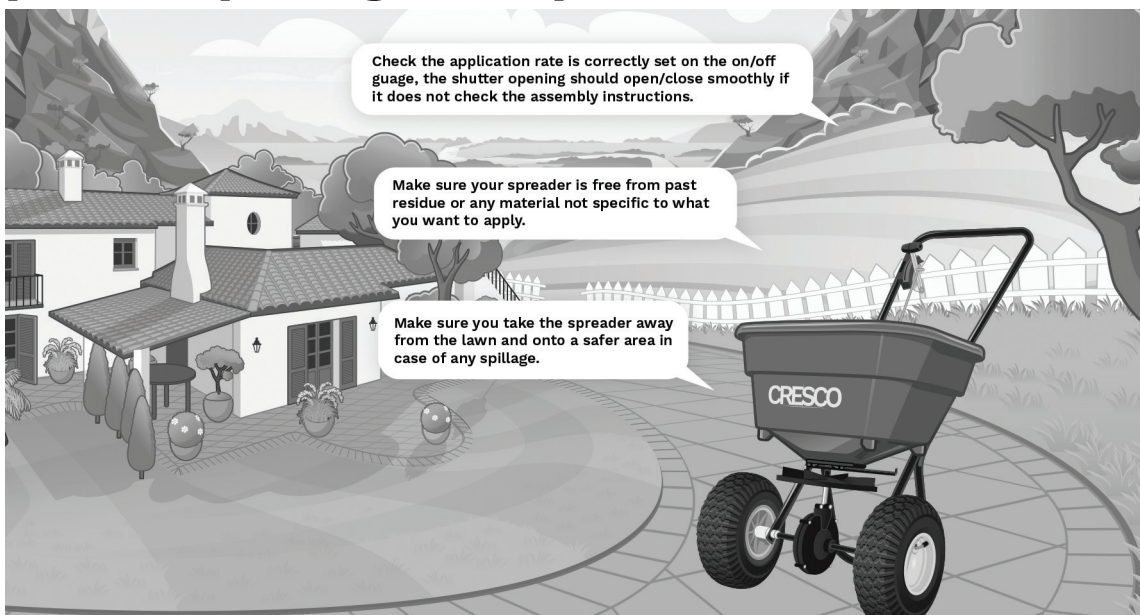
For a quick reference, please refer to our guide on the previous page



The chart is titled "CRESCO SLIDE-SYSTEM TECHNOLOGY SETTINGS" and "TWO SEASONS. ONE SPREADER." It provides a reference for slider settings based on the product type. The chart is organized into three columns: PRODUCT, SUMMER SLIDER, and SLIDER ADJUSTER SETTINGS. The first row is for "POWDERED OR MICRO GRANULAR FERTILIZER", showing a closed slider and the instruction "NO ADJUSTMENT OF EITHER SLIDER RECOMENDED". The second row is for "MEDIUM GRANULAR FERTILIZER", showing an open slider and the instruction "NO ADJUSTMENT OF EITHER SLIDER RECOMENDED".

PRODUCT	SUMMER SLIDER	SLIDER ADJUSTER SETTINGS
 POWDERED OR MICRO GRANULAR FERTILIZER		NO ADJUSTMENT OF EITHER SLIDER RECOMENDED 
 MEDIUM GRANULAR FERTILIZER		NO ADJUSTMENT OF EITHER SLIDER RECOMENDED 

Step 2: Preparing the Spreader



Check the material to be applied is dry and free flowing to ensure it will flow freely through the hopper. Make sure your application rate and spread pattern settings are correct, **close the application hole fully** and then pour in your material.

How to use the **Cresco 30SWS**

Your outlet hole should look like this before you pour in any material.



It is preferable to spread when the weather is dry, however a rain cover can be added to your spreader to ensure the material in your hopper is not exposed to moisture.



WARNING **Do not pour material in the hopper when the application holes are open as it can lead to spillages or leaks that can damage the area. Do not open the gauge until you are over the area you want to spread and are moving at a brisk walk***

Step 3: Walking Patterns for the optimum application (For Fertilizer Only)

There are two methods of effective spreading, longitudinal fertilizer spreading and cross sectional fertilizer spreading.

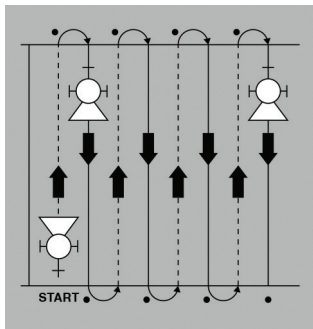
When applying fertilizer please make sure you walk at 3mph and keep the hopper in a stable, upright position.

How to use the Cresco 30SWS

Longitudinal Fertilizer Spreading

½ the application rate suggested on the back of your fertilizer bag.

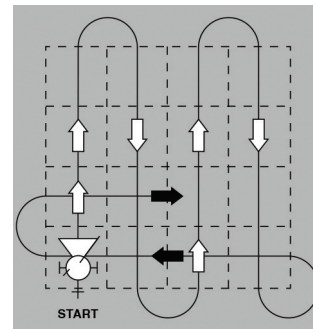
Cover the area as shown by going over your tire marks left on the previous pass.



Cross Sectional Fertilizer Spreading

½ the application rate suggested on the back of your fertilizer bag.

Cover the area as shown making the second pass at the edge of your spread pattern or where the fertilizer thrown begins to feather.



Cleaning and Maintenance

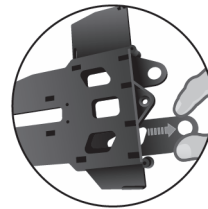
CLEANING THE SPREADER THOROUGHLY WILL SIGNIFICANTLY ENHANCE THE LIFESPAN OF YOUR SPREADER AND IMPROVE IT'S ABILITY TO SPREAD EVENLY NEXT TIME YOU USE IT.



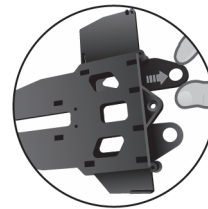
Application Guide **for Fertilisers**

Calibration Setting Guide

Speed		Product											
Mph	3	0.5mm - 1mm				1mm - 2mm				3mm - 5mm			
Kph	4.828	3.5	3.5	3.5	3.5	4.0	4.0	4.0	4.0	4.5	4.5	4.5	4.5
Metres p/Sec	1.34	20	35	50	10	20	35	50	10	20	35	50	10
Width	Metres	3.5	3.5	3.5	3.5	4.0	4.0	4.0	4.0	4.5	4.5	4.5	4.5
Application Rate	Grams /Sq M	20	35	50	10	20	35	50	10	20	35	50	10
Run Time	Secs	10	10	10	10	10	10	10	10	10	10	10	10
Distance	metres	13.4	13.4	13.4	13.4	13.4	13.4	13.4	13.4	13.4	13.4	13.4	13.4
Area	Sq Metres	47	47	47	47	54	54	54	54	60	60	60	60
Target Weight	Grams	938	1,876	3,015	938	1,876	3,015	3,015	1,876	938	1,876	3,015	3,015
Setting		8.5	11	14	11	11	13.5	19.5	13	18	16 (X2)		
Slider Position		-	-	-	-	-	-	-	7 Clicks LHS	7 Clicks LHS	7 Clicks LHS		



Left hand slider adjuster



Right hand slider adjuster

LHS (Left hand slider adjuster) is recommended to be engaged when spreading large sized granular materials to provide a more uniform distribution on the left and right side of the spread pattern. Conversely with very light materials (e.g. grass seed) engaging the RHS (Right hand slider adjuster) will be similarly beneficial.

The manufacturer cannot be held responsible for any variations in sq. metre application volumes, or spread width differences, due to possible variations in materials, application conditions at the time and different operator application techniques.

Do not spread Fertiliser or seed materials with the winter slider

This chart should be used as a guide only.



3-Year **Limited Warranty**

DMMP Ltd. warrants this product free of defects in original workmanship and materials for a period of 3 Years to the end user with the original dated purchase receipt.

If a manufacturing non-conformance is found, DMMP Ltd. will repair or replace the part(s) or product at its discretion at no charge provided the failure is not the result of incorrect installation, mishandling, misuse, tampering, or normal wear and tear as determined by DMMP Ltd.

DMMP Ltd. at its discretion may require that the part(s) or product be returned along with the original purchase receipt at owners' expense for examination and compliance with the terms of this warranty.

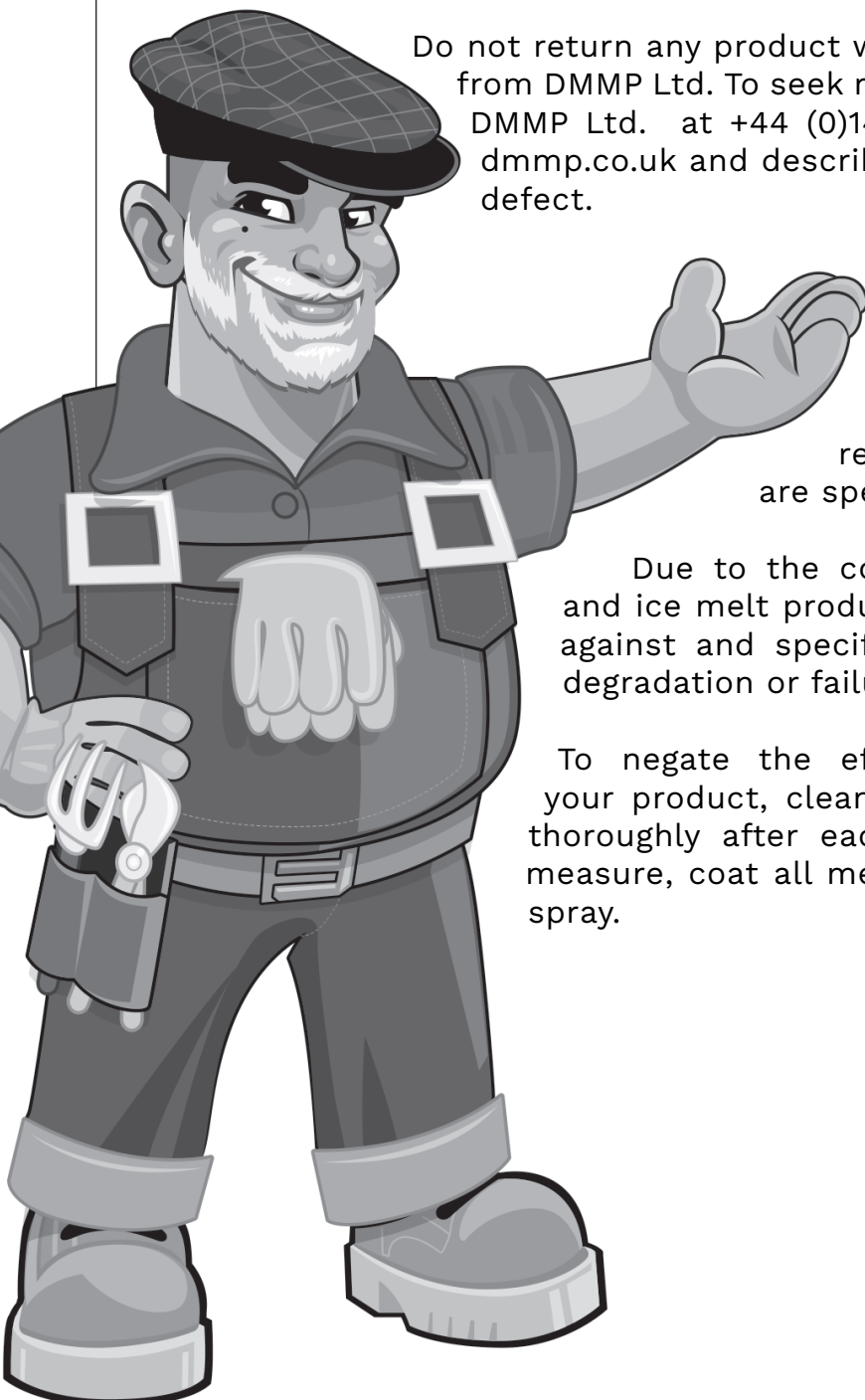
Do not return any product without first receiving authorization from DMMP Ltd. To seek remedy under this warranty, contact DMMP Ltd. at +44 (0)1455 825 400 or email us at info@dmmp.co.uk and describe the nature of the manufacturing defect.

SPECIFIC LIMITATIONS:

This warranty covers only the part(s) or product; any labour charges associated with repair or replacement of nonconformances are specifically excluded.

Due to the corrosive nature of most fertilizers and ice melt products, DMMP Ltd makes no warranty against and specifically excludes part(s) or product degradation or failure due to corrosion or its effects.

To negate the effects of corrosive materials on your product, clean and dry your spreader or seeder thoroughly after each use. As a further preventative measure, coat all metal parts with a light oil or silicon spray.



Other Cresco Products

Product / Season		Unique Selling Points			
 Cresco 1  Code: CR001		Ergonomic arm-rest handle for easy holding		Large 2Kg Hopper	
 Cresco 5  Code: CR005		New heavy duty gearbox		Easy to use on/off system	
 Cresco 10SW  Code: CR10SW		Cushioned on/off lever with solid rod linkage		Large moulded wheels	
 Cresco 20SW  Code: CR20SW		Cushioned on/off lever with solid rod linkage		Pneumatic Wheels	
 Cresco SRS Code: CRSRS		Seed Plate Bag Included with 11 Seed Plates		Strong row marker mounting	
 Heavy Duty Snow Shovel Code: H464P		Powder coated steel tubed handle		Large comfortable ergonomic grip	
 Wide Snow Clearer Code: H611		Steel blade		Steel edge to increase cutting power and longevity	
 3 in 1 Foldable Snow Shovel Code: HZS212		Anodised aluminium head		Telescopic anodised aluminium handle	
 Cresco Snow Blaster Code: H595		Two grip design makes snow removal easy and minimises lifting and stooping		Wave ribbed design reinforces blade strength	
 Polar Tough Snow Plough Code: YH74900		Helps manage snow accumulation		Reduces labour costs compared to a shovel	

