

Thank you for purchasing our  
**Cresco 20SWG Assembly  
Instructions Assembled**



**We're delighted to have you as a customer  
and are here to help! First off, let's get your  
product assembled!**

**Table of Contents:**

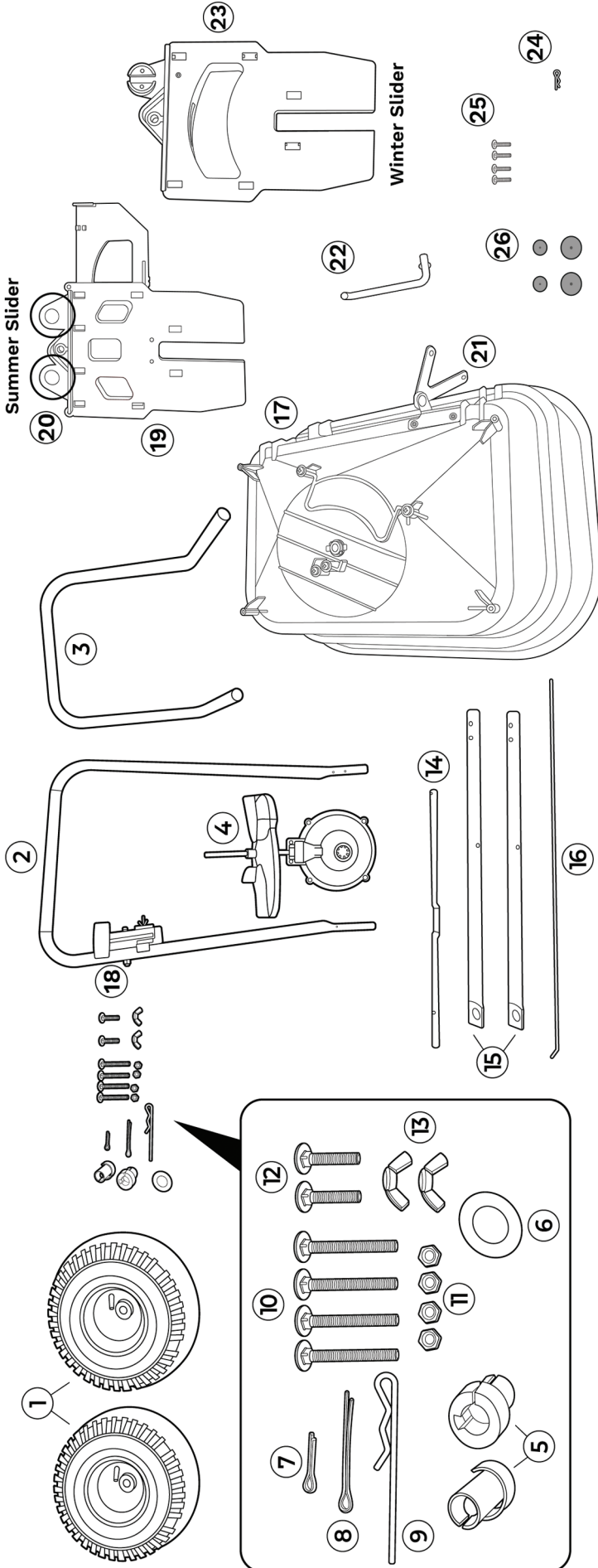
- 1:** Spare Parts
- 2:** Slide System Explanation
- 3-4:** Assembling your Cresco 20SWG
- 4-5:** How to swap over the Cresco Sliders
- 6-8:** Slide System Explanation
- 9-12:** How to Use the Cresco 20SWG
- 13:** Application guide for fertilisers
- 14:** Warranty

**Scan for video aseembly:**



**3 YEAR  
WARRANTY!**

# Spare Parts



**Empty all contents of the box onto a flat surface and count parts to make sure all are there.**

## Cresco 20SWG PARTS LIST:

1. Pneumatic Wheel (X2)
2. Handle Bar
3. Stand
4. Gear box and Impellor
5. Axle bearing (X2)

6. Wheel Washer X 1
7. Small Cotter pin
8. Large Cotter pin
9. Agitator
10. M6x60 Bolts (X4)
11. M6 lock nuts (X4)
12. M6 X35 Bolts
13. M6 Wing Nut (X2)
14. Axle
15. Lower Frame (X2)
16. Control Rod
17. Hopper Body
18. Control Lever
19. Summer Slider

20. Adjuster
21. Pivot Bracket
22. Pivot Rod
23. Winter Slider
24. R-pin Small
25. 4x Screws
26. 4x Washers

**Scan to view and purchase spare parts:**



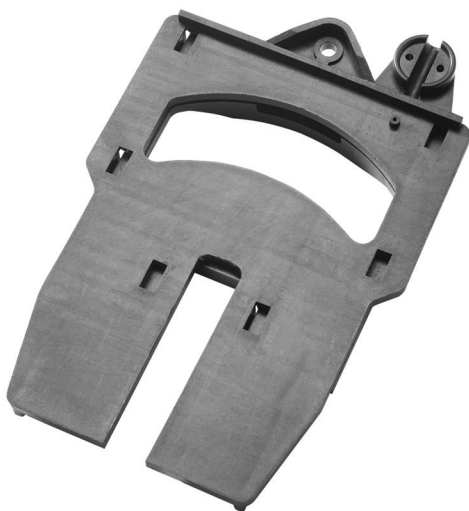
# Slide System **Explanation**

**\*\*\* VERY IMPORTANT \*\*\***

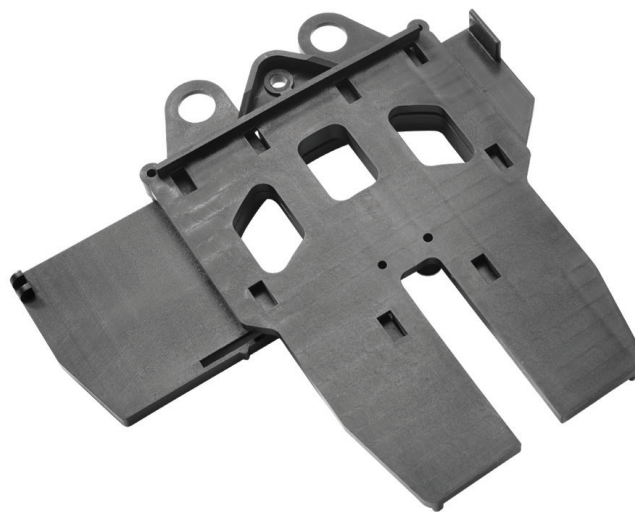
**Your Cresco spreader comes with two different application sliders.**  
One is for **winter** and the other is for **summer!**



**DO NOT SPREAD FERTILIZER  
WITH THE WINTER SLIDER**



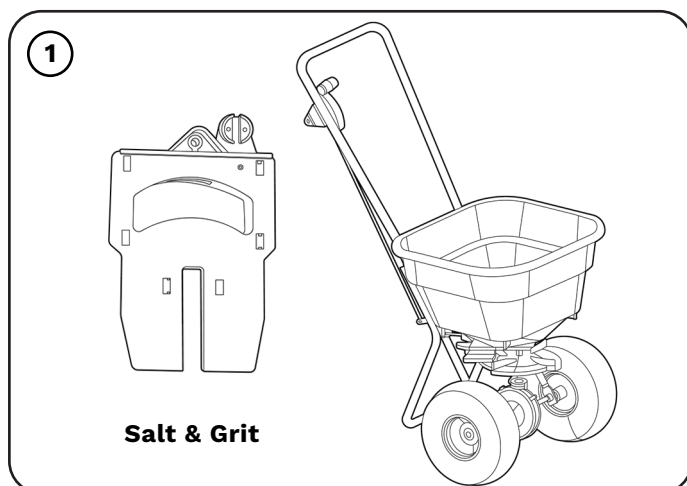
**Winter Slider**



**Summer Slider**

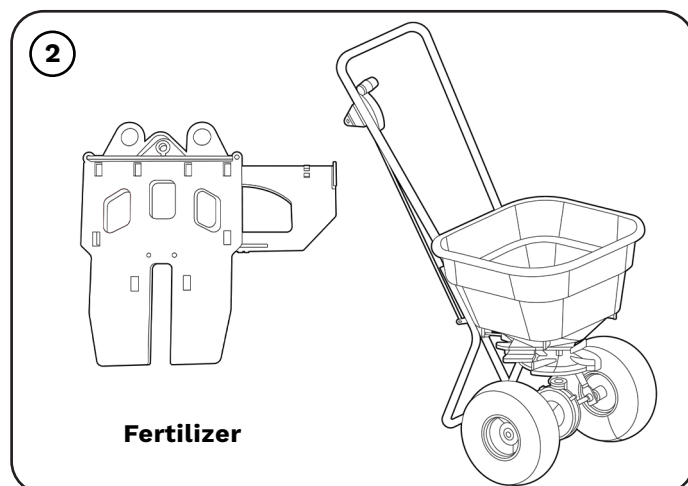
**Please locate and choose your slider.**

# Assembling your **Cresco 20SWG**



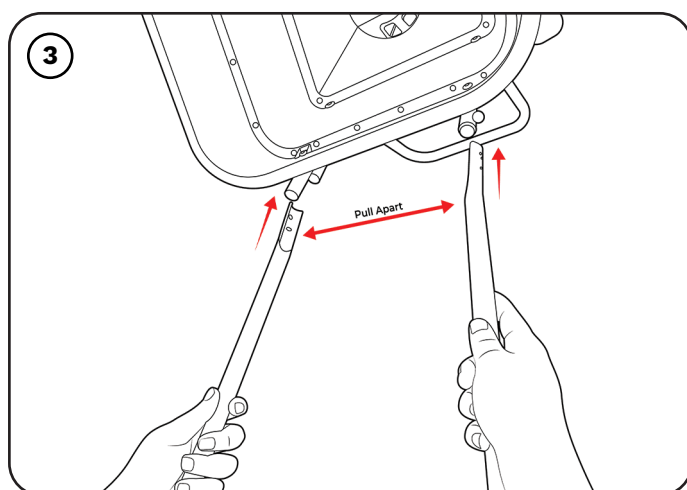
**Salt & Grit**

Before you start, decide what you would like to use your spreader for. If you are spreading salt, please use the large application slider pictured above.

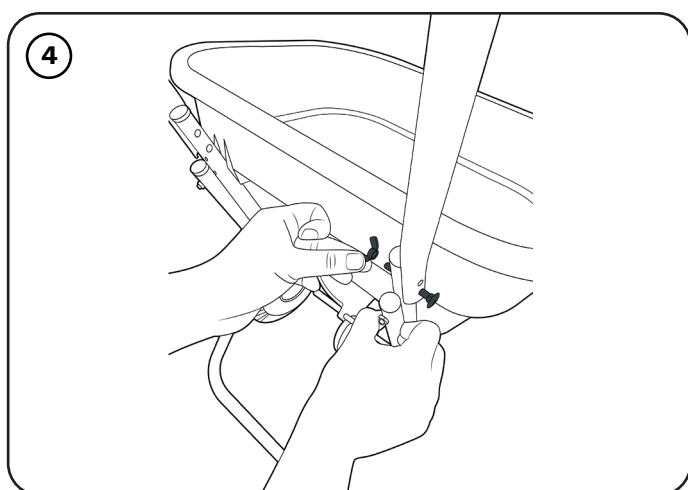


**Fertilizer**

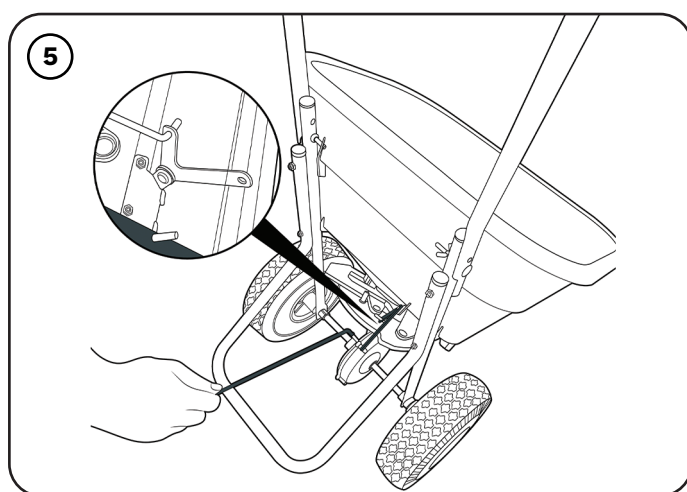
If you are using the spreader to apply fertilizer, please use the slider with the three holes pictured above. If the wrong slider is fixed to your spreader, please refer to the 'change your slider' section of this manual.



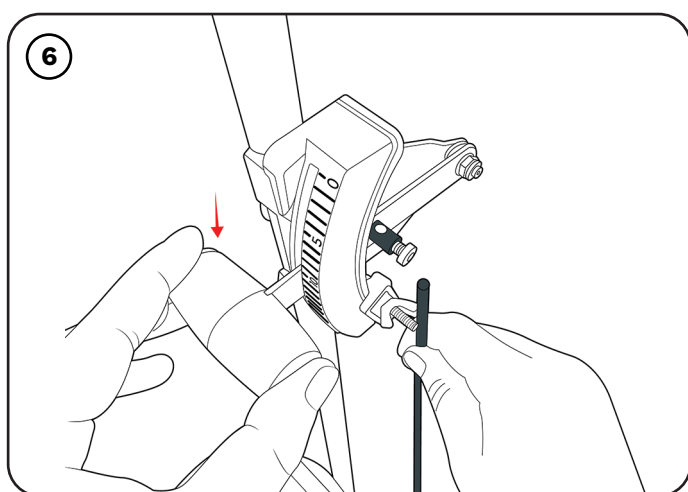
Align the holes at the bottom of the handle bar (item 2) with the holes at the top of the lower frame (item 15). You may need to pull the ends apart slightly to place in position.



Thread the M6x35 bolt (12) through the hole of the handle bar (item 2) and lower frame (item 15). Use the M6 wingnut (13) to tighten. Repeat on both sides.

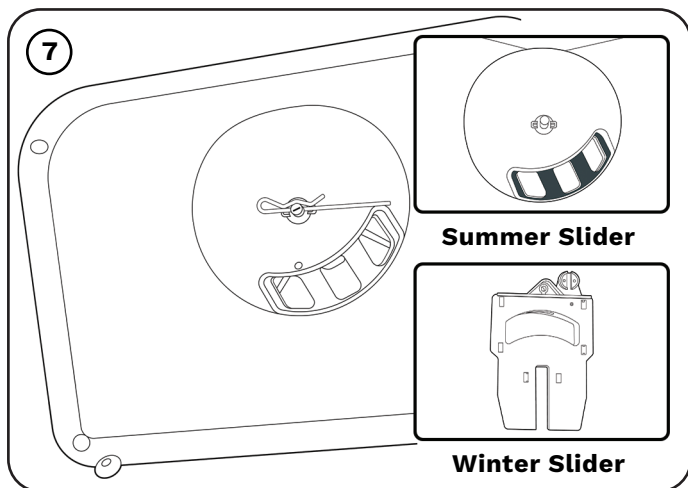


Protruding from the back of the hopper body (item 17) is a V-shaped metal (pivot bracket) (item 21). Clip the pivot bracket end of the control rod (item 16) into the hole on the V-shaped metal.

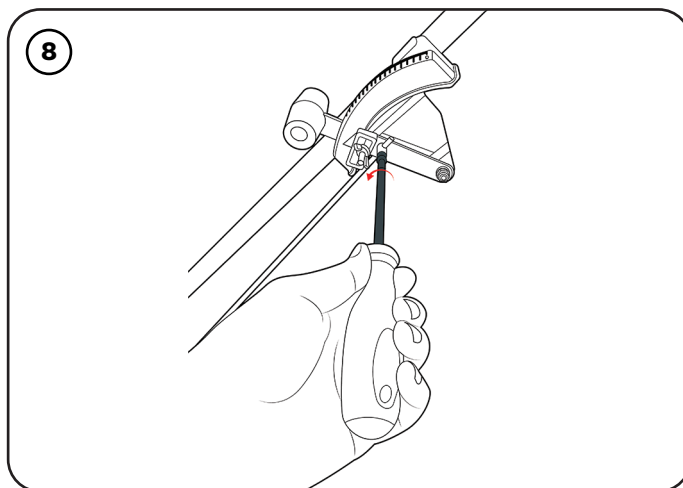


Feed the other end of the control rod (item 16) through the hole at the back of the control lever (item 18). Make sure you push the lever all the way to the bottom.

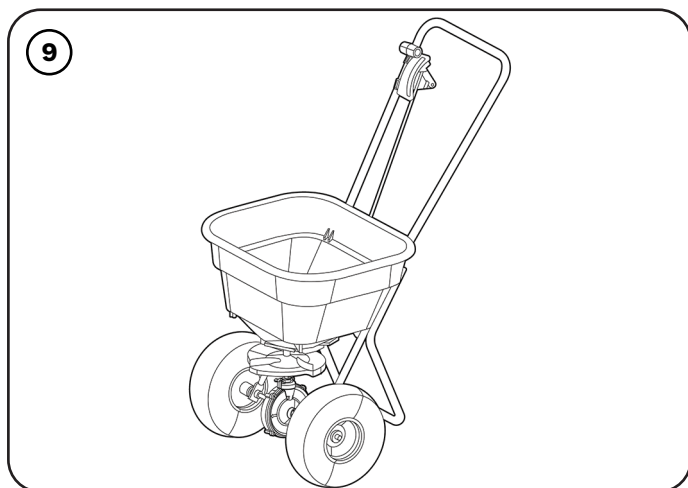
## Assembling your **Cresco 20SWG**



Before tightening the control rod. Make sure the application holes in the hopper are fully open and the control lever is set at 20.

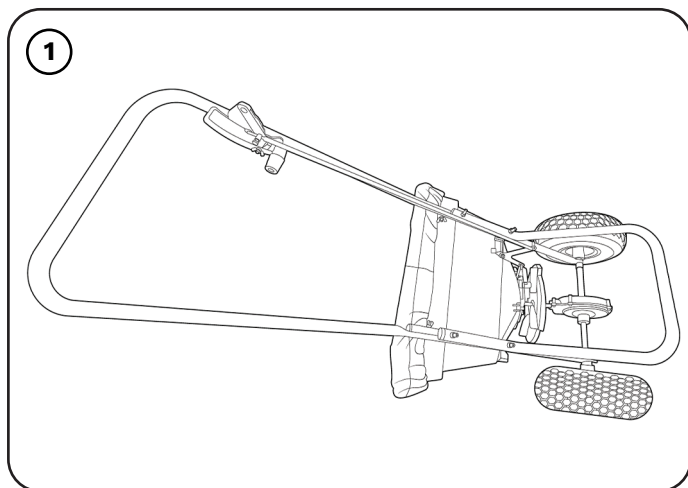


Tighten the control rod.

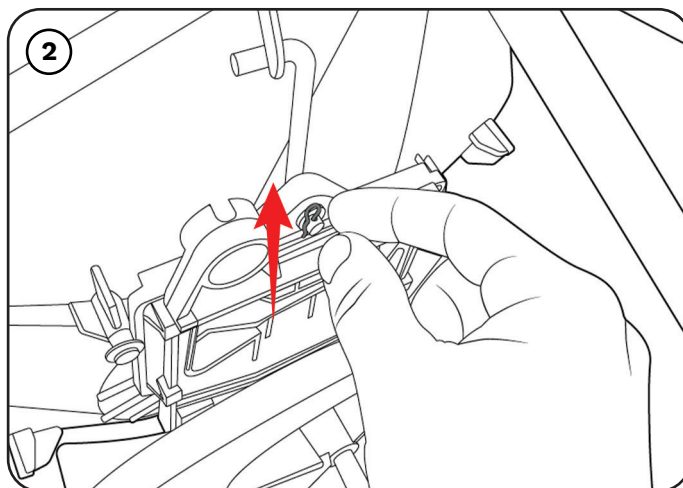


Your Cresco 20SWG is now complete.

## How to swap over the Cresco Sliders

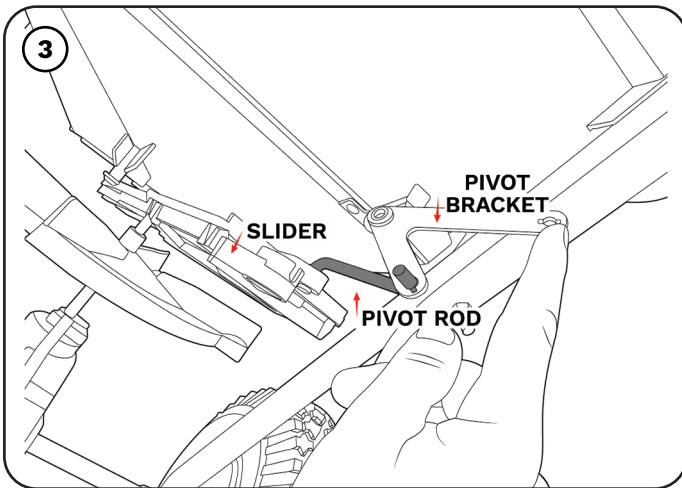


Place the finished unit onto a table so that the back of the spreader is easily accessible.

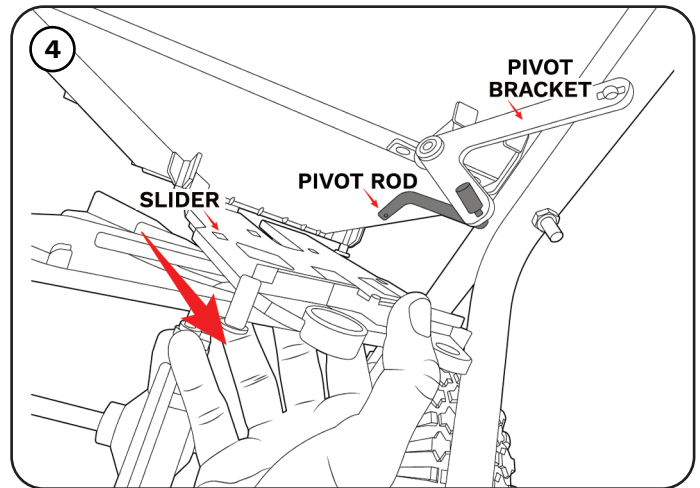


Locate the R-pin that helps hold the slider in place on the underside of the slider. Remove the R-pin (24).

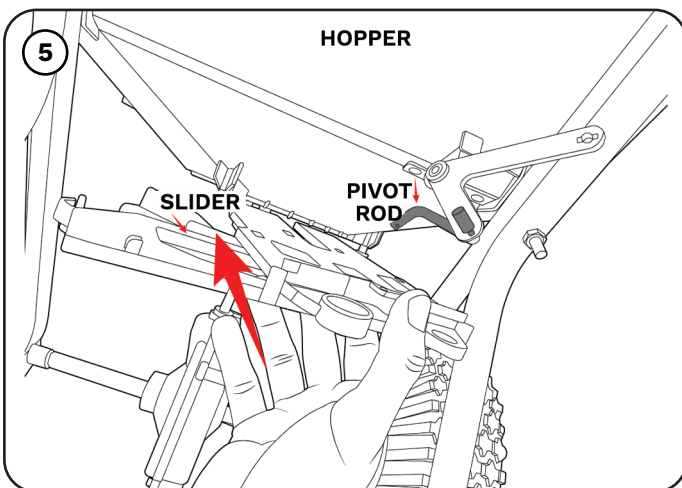
# Assembling your **Cresco 20SWG**



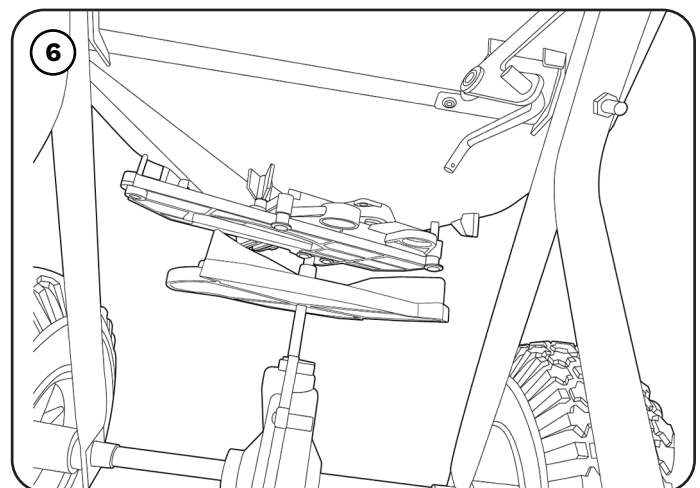
Push the top of the pivot bracket (21) so the slider (20 or 23) is pushed back and the pivot rod (22) is loosened.



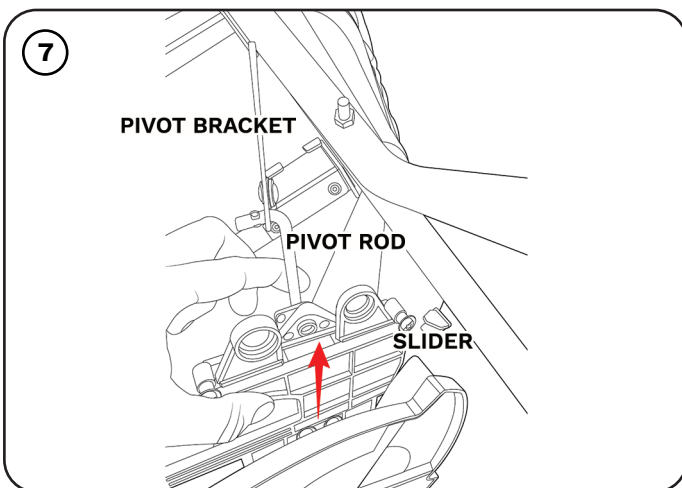
Remove the pivot rod (22) by pushing the tip through the hole at the top of the slider. When the pivot rod is removed, remove the slider (20 or 23).



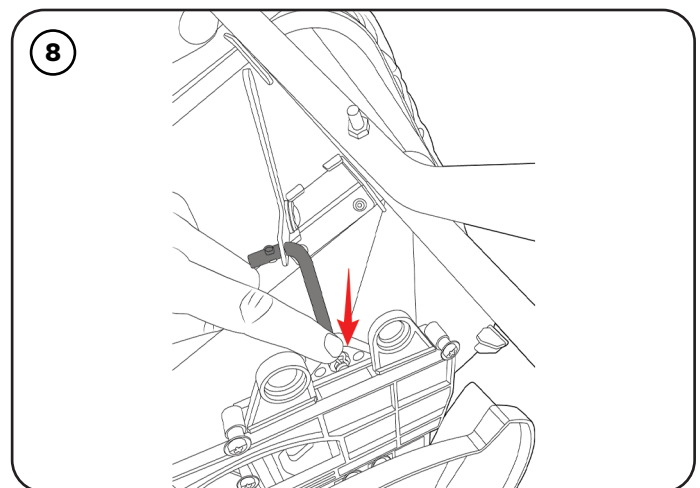
When you have removed the slider (20 or 23) you no longer wish to use, find the alternative slider and push it into the grooves on the bottom of the hopper (17). (The Summer Slider is pictured here).



The slider should be secure and sit level underneath the hopper. It should slide smoothly in and out of the grooves.



Pull the slider out slightly to allow space to insert the pivot rod (22) back into the pivot bracket (21) and slider (20 or 23).



Push the bottom end of the pivot rod (22) into the hole at the top of the slider and secure with the R-pin (24).

# Slide System **Explanation**

## **Winter**

For spread width 6 meters.



Pavement setting (2 meters).



## **Ice Melts**

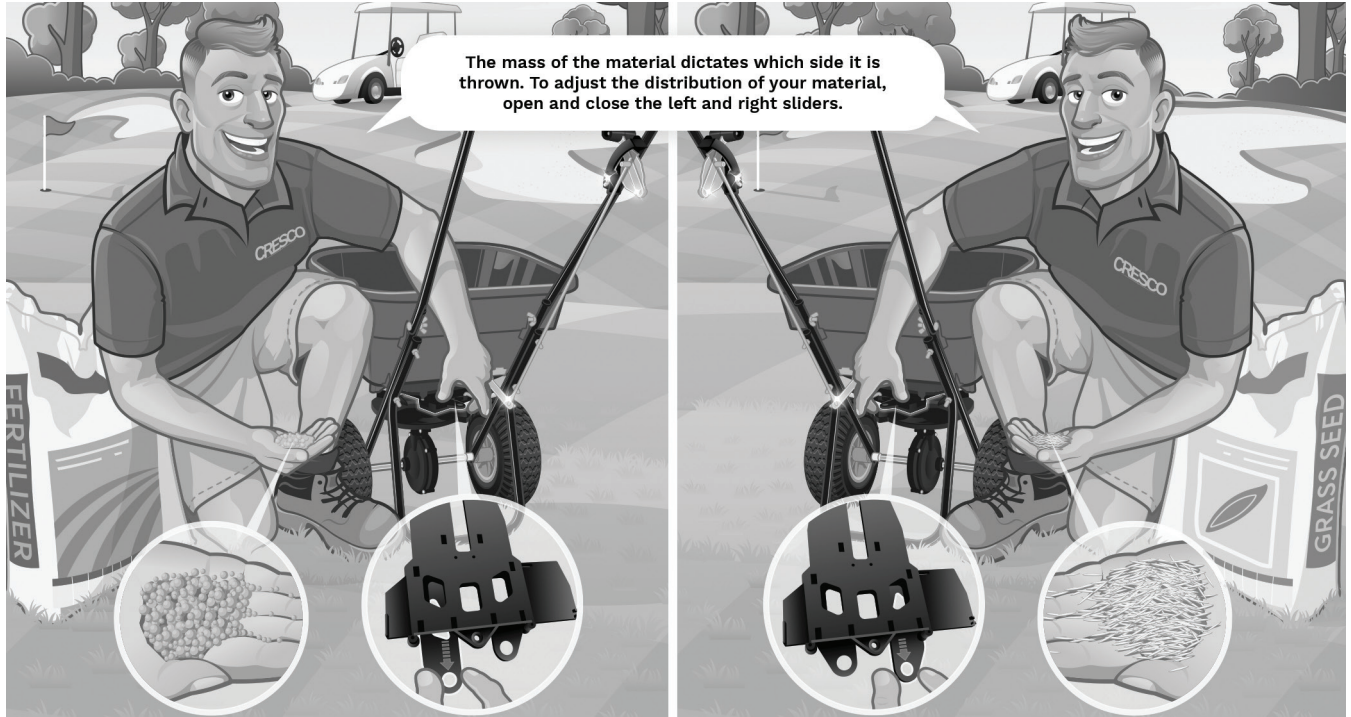


## **Summer**

The summer slide system comes with 20 different settings and a border control. This slider provides control over the accuracy of your spreading.

Large/Heavy Materials

Small/Light Materials



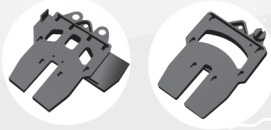
## **Border Control**



To protect your borders simply slide the border control into position to cut off the left hand side of the spread pattern.



# Slide System **Explanation**



**SLIDE-SYSTEM  
TECHNOLOGY  
SETTINGS**

**TWO SEASONS.  
ONE SPREADER.**



PRODUCT		SUMMER SLIDER	SLIDER ADJUSTER SETTINGS	
	<b>POWDERED OR MICRO GRANULAR FERTILIZER</b>		<b>NO ADJUSTMENT OF EITHER SLIDER RECOMMENDED</b>	
	<b>MEDIUM GRANULAR FERTILIZER</b>		<b>NO ADJUSTMENT OF EITHER SLIDER RECOMMENDED</b>	
	<b>LARGE GRANULAR FERTILIZER</b>		<b>ADJUSTMENT OF THE LEFT SLIDER RECOMMENDED 6-7 CLICKS</b>	
	<b>GRASS SEED OR VERY LIGHT MATERIALS</b>		<b>ADJUSTMENT OF THE RIGHT SLIDER RECOMMENDED 3-4 CLICKS</b>	
	<b>PELLETED MATERIALS</b>		<b>ADJUSTMENT OF THE LEFT SLIDER RECOMMENDED (SELECT CLOSED)</b>	
	<b>LARGE GRANULAR ICE MELTS</b>		<b>ADJUSTMENT OF THE LEFT SLIDER RECOMMENDED (SELECT CLOSED)</b>	
<b>WINTER SLIDER</b>				
<b>** Please note this chart is a guide only. Due to variations in the spreading characteristics of materials, accurate calibration should be carried out by the operator for each different material being applied. **</b>				
	<b>SHARP SAND</b>		<b>FULL OR REDUCED WIDTH SLIDER OPTION RECOMMENDED</b>	
	<b>FLOWABLE SAND / SOIL MIX</b>		<b>FULL SLIDER WIDTH USE RECOMMENDED</b>	
	<b>COARSE MARINE SALT</b>		<b>FULL OR REDUCED WIDTH SLIDER OPTION RECOMMENDED</b>	
	<b>ROCK SALT</b>		<b>FULL SLIDER WIDTH USE RECOMMENDED</b>	
	<b>GRIT MATERIALS</b>		<b>FULL SLIDER WIDTH USE RECOMMENDED</b>	

[WWW.CRESCOSPREADERS.COM](http://WWW.CRESCOSPREADERS.COM)

DMMP Limited is not responsible for misapplication due to incorrect use or incorrect calibration of Cresco spreaders, and any other DMMP Limited spreader brands.

For calibration information please refer to "how to calibrate" section on the Cresco website.



# How to use the **Cresco 20SWG**

## How to Apply Fertilizer to your lawn like a pro in four steps!

**Step 1:** Understanding the application rate and settings

**Step 2:** Preparing the Spreader

**Step 3:** Walking Patterns for the optimum application

**Step 4:** Cleaning & Maintenance

## Step 1: Understand the application rate and settings

### Application Rate Settings

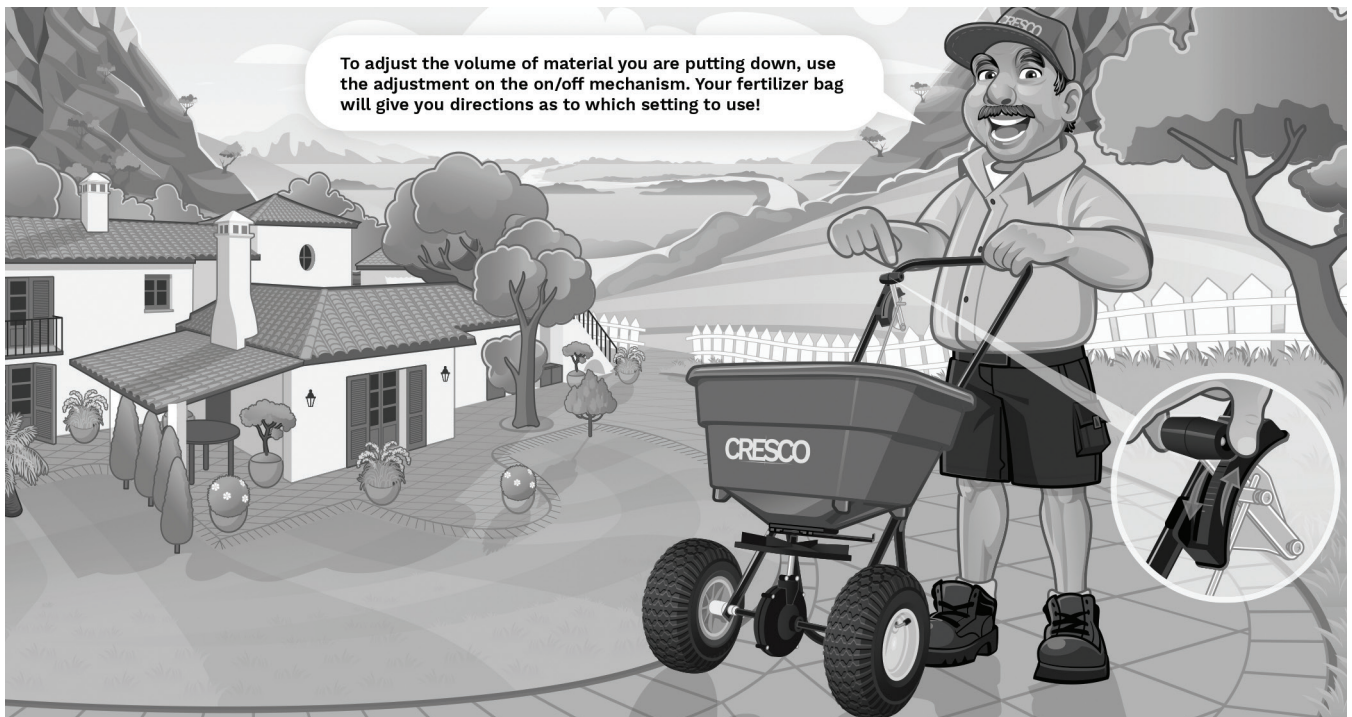
Check the back of the fertilizer bag to find out the recommended G/m<sup>2</sup> and spreader application setting.



If the spreader setting is not on the back of the bag, please get in touch with your fertilizer bag provider.



Set the handle to the correct setting.



If you are unable to find the required Cresco volume setting, please visit, [www.crescospreaders.com](http://www.crescospreaders.com)

# How to use the Cresco 20SWG

## **Spread Pattern Settings**

Once you have the correct application rate, you will need to check that the spread of material is even on both sides of the spread pattern.

To balance the spread pattern for your material, check online or with your fertilizer or seed provider.

For a quick reference, please refer to our guide on the previous page



The chart is titled "CRESCO SLIDE-SYSTEM TECHNOLOGY SETTINGS" and "TWO SEASONS. ONE SPREADER." It provides a reference for slider adjustments based on the product type. The chart is organized into three columns: PRODUCT, SUMMER SLIDER, and SLIDER ADJUSTER SETTINGS. The first row is for "POWDERED OR MICRO GRANULAR FERTILIZER", and the second row is for "MEDIUM GRANULAR FERTILIZER".

PRODUCT	SUMMER SLIDER	SLIDER ADJUSTER SETTINGS
POWDERED OR MICRO GRANULAR FERTILIZER		NO ADJUSTMENT OF EITHER SLIDER RECOMENDED 
MEDIUM GRANULAR FERTILIZER		NO ADJUSTMENT OF EITHER SLIDER RECOMENDED 

## **Step 2: Preparing the Spreader**



Check the material to be applied is dry and free flowing to ensure it will flow freely through the hopper. Make sure your application rate and spread pattern settings are correct, **close the application hole fully** and then pour in your material.

# How to use the **Cresco 20SWG**

Your outlet hole should look like this before you pour in any material.



It is preferable to spread when the weather is dry, however a rain cover can be added to your spreader to ensure the material in your hopper is not exposed to moisture.



**WARNING \*\*Do not pour material in the hopper when the application holes are open as it can lead to spillages or leaks that can damage the area. Do not open the gauge until you are over the area you want to spread and are moving at a brisk walk\*\*\***

## **Step 3: Walking Patterns for the optimum application (For Fertilizer Only)**

There are two methods of effective spreading, longitudinal fertilizer spreading and cross sectional fertilizer spreading.

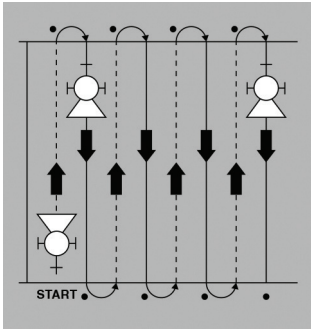
**When applying fertilizer please make sure you walk at 3mph and keep the hopper in a stable, upright position.**

# How to use the **Cresco 20SWG**

## Single Pass Fertilizer Spreading

Use  $\frac{1}{2}$  the application rate suggested on the back of your fertilizer bag

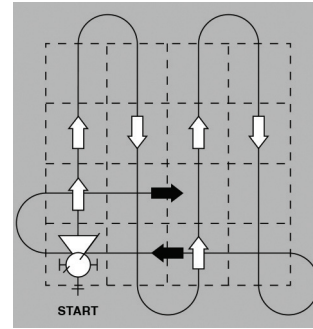
Cover the area as shown by passing over it in an up and down track as shown, taking into account the spread width of the material being applied.



## Cross Sectional Fertilizer Spreading

Use  $\frac{1}{2}$  the application rate suggested on the back of your fertilizer bag

Cover the area as shown. Repeating by a second pass in the same manner going across the area as shown in the diagram.



## Step 4: Cleaning and Maintenance

**CLEANING THE SPREADER THOROUGHLY WILL SIGNIFICANTLY ENHANCE THE LIFESPAN OF YOUR SPREADER AND IMPROVE IT'S ABILITY TO SPREAD EVENLY NEXT TIME YOU USE IT.**



Use a hosepipe and water pressure to wash the spreader down completely and fully dry

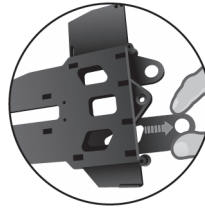
If the material in the hopper is dry and free from moisture, pour any remaining material back into the bag. If the material has been contaminated by moisture, please **dispose of it in the manner specified by the manufacturer**



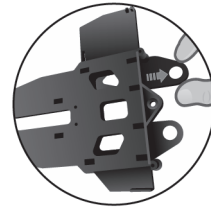
Spray all bolts and nuts with a rust protecting lubricant

## Calibration Setting Guide

Speed		Product											
Mph	3	05mm - 1mm				1mm - 2mm				3mm - 5mm			
Kph	4.828	3.5	3.5	3.5	4.0	4.0	4.0	4.0	4.5	4.5	4.5	4.5	4.5
Metres p/Sec	1.34	20	35	50	20	20	35	50	20	20	35	50	50
Width	Metres	10	10	10	10	10	10	10	10	10	10	10	10
Application Rate	Grams /Sq M	13.4	13.4	13.4	13.4	13.4	13.4	13.4	13.4	13.4	13.4	13.4	13.4
Run Time	Secs	47	47	47	54	54	54	54	60	60	60	60	60
Distance	metres	938	1,876	3,015	938	938	1,876	3,015	938	938	1,876	3,015	3,015
Area	Sq Metres	8.5	11	14	11	11	13.5	19.5	13	18	18	18	16 (X2)
Target Weight	Grams	-	-	-	-	-	-	-	7 Clicks LHS	7 Clicks LHS	7 Clicks LHS	7 Clicks LHS	7 Clicks LHS
Slider Position													



Left hand slider adjuster



Right hand slider adjuster

LHS (Left hand slider adjuster) is recommended to be engaged when spreading large sized granular materials to provide a more uniform distribution on the left and right side of the spread pattern. Conversely with very light materials (e.g. grass seed) engaging the RHS (Right hand slider adjuster) will be similarly beneficial.

The manufacturer cannot be held responsible for any variations in sq. metre application volumes, or spread width differences, due to possible variations in materials, application conditions at the time and different operator application techniques.

\*Do not spread Fertiliser or seed materials with the winter slider\*

**This chart should be used as a guide only.**



## 3-Year **Limited Warranty**

DMMP Ltd. warrants this product free of defects in original workmanship and materials for a period of 3 Years to the end user with the original dated purchase receipt.

If a manufacturing non-conformance is found, DMMP Ltd. will repair or replace the part(s) or product at its discretion at no charge provided the failure is not the result of incorrect installation, mishandling, misuse, tampering, or normal wear and tear as determined by DMMP Ltd.

DMMP Ltd. at its discretion may require that the part(s) or product be returned along with the original purchase receipt at owners' expense for examination and compliance with the terms of this warranty.

Do not return any product without first receiving authorization from DMMP Ltd. To seek remedy under this warranty, contact DMMP Ltd. at +44 (0)1455 825 400 or email us at [info@dmmp.co.uk](mailto:info@dmmp.co.uk) and describe the nature of the manufacturing defect.

### **SPECIFIC LIMITATIONS:**

This warranty covers only the part(s) or product; any labour charges associated with repair or replacement of nonconformances are specifically excluded.

Due to the corrosive nature of most fertilizers and ice melt products, DMMP Ltd makes no warranty against and specifically excludes part(s) or product degradation or failure due to corrosion or its effects.

To negate the effects of corrosive materials on your product, clean and dry your spreader or seeder thoroughly after each use. As a further preventative measure, coat all metal parts with a light oil or silicon spray.



# Other Cresco Products

Product / Season		Unique Selling Points		
 <b>Cresco 1</b>  Code: CR001 	Ergonomic arm-rest handle for easy holding		Large 2Kg Hopper	
 <b>Cresco 5</b>  Code: CR005 	New heavy duty gearbox		Easy to use on/off system	
 <b>Cresco 10SW</b>  Code: CR10SW 	Cushioned on/off lever with solid rod linkage		Large moulded wheels	
 <b>Cresco 20SW</b>  Code: CR20SW 	Cushioned on/off lever with solid rod linkage		Pneumatic Wheels	
 <b>Cresco SRS</b> Code: CRSRS 	Seed Plate Bag Included with 11 Seed Plates		Strong row marker mounting	
 <b>Heavy Duty Snow Shovel</b> Code: H464P 	Powder coated steel tubed handle		Large comfortable ergonomic grip	
 <b>Wide Snow Clearer</b> Code: H611 	Steel blade		Steel edge to increase cutting power and longevity	
 <b>3 in 1 Foldable Snow Shovel</b> Code: HZS212 	Anodised aluminium head		Telescopic anodised aluminium handle	
 <b>Cresco Snow Blaster</b> Code: H595 	Two grip design makes snow removal easy and minimises lifting and stooping		Wave ribbed design reinforces blade strength	
 <b>Polar Tough Snow Plough</b> Code: YH74900 	Helps manage snow accumulation		Reduces labour costs compared to a shovel	