

START SAFETY



- For Indoor and Outdoor use
- High quality steel
- High impact resistance
- Highly visible yellow/black markings
- Easily installed
- TUV-tested according to DGUV 108-007

BLACK BULL
Protection Guards



Manufactured from seamless high quality tube, these guards are bent as one piece to provide strong and effective collision protection in vehicle routes, work and inventory areas. They can be used for separating vehicle and pedestrian routes, protect machinery, pillars, racking, loading ramps etc.

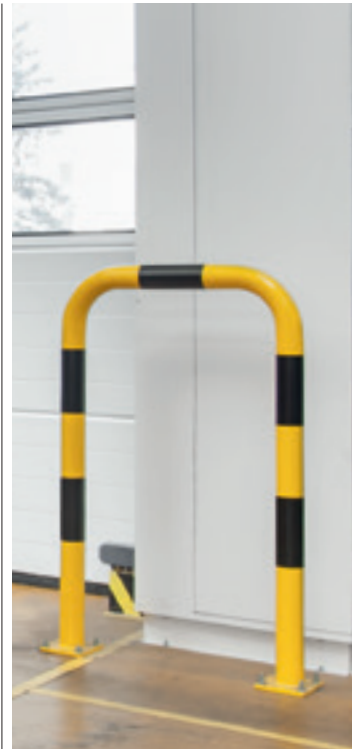
Specification:
76 mm Ø x 3 mm Wall
Base Plate: 160 x 140 x 10 mm
(Drilled 4 fixing holes)



Powder coated				
Description	Height/length (mm)	Delivery weight (kg/ea.)	Reference	Typical despatch time (working days)
Yellow with base plate	350 x 375	10	195.15.621	5 / 10 days
Yellow/black bands with base plate	350 x 750	12	195.14.450	1 / 2 days
	350 x 1,000	13	195.14.589	
	350 x 2,000	17	195.29.703	5 / 10 days
	600 x 750	14	195.18.515	1 / 2 days
	600 x 1,000	16	195.18.943	
	600 x 2,000	19	195.23.098	5 / 10 days
	1,200 x 750	20	195.19.573	1 / 2 days
	1,200 x 1,000	22	195.17.903	
1,200 x 2,000	25.5	195.21.170	5 / 10 days	
Through bolt anchor size 12/120 (8 per guard)		0.3	109.24.665	1 / 2 days
Surface fixing bolt size 8/100 (8 per guard)		0.2	109.17.393	

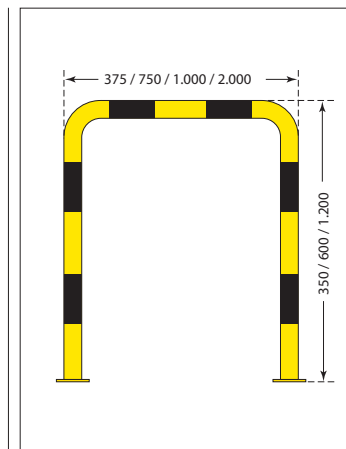


* Max. force absorption.
For details please request data sheets.



Finish:
 Indoor use: Powder coated yellow with black bands.
 Outdoor use: Hot Dip Galvanised and powder coated yellow with black bands.
 Root-fix versions, special sizes and colours can be manufactured to order. Please ask for details.

Option:
 Sub-Surface adapter plates.



Hot dip galvanised and powder coated				
Description	Height/length (mm)	Delivery weight (kg/ea.)	Reference	Typical despatch time (working days)
Yellow with base plate	350 x 375	10	195.18.233	5 / 10 days
Yellow/black bands with base plate	350 x 750	12	195.16.265	1 / 2 days
	350 x 1,000	13	195.13.499	
	350 x 2,000	17	195.22.846	5 / 10 days
	600 x 750	14	195.17.623	1 / 2 days
	600 x 1,000	16	195.19.157	
	600 x 2,000	19	195.28.325	5 / 10 days
	1,200 x 750	20	195.17.296	1 / 2 days
	1,200 x 1,000	22	195.18.822	
1,200 x 2,000	25.5	195.28.003	5 / 10 days	
Sub-surface adapter plate including bolts	160 x 140 x 10 mm Length: 330 mm	4	195.28.577	1 / 2 days
Through bolt anchor size 12/120 (8 per guard)		0.3	109.24.665	
Surface fixing bolt size 8/100 (8 per guard)		0.2	109.17.393	