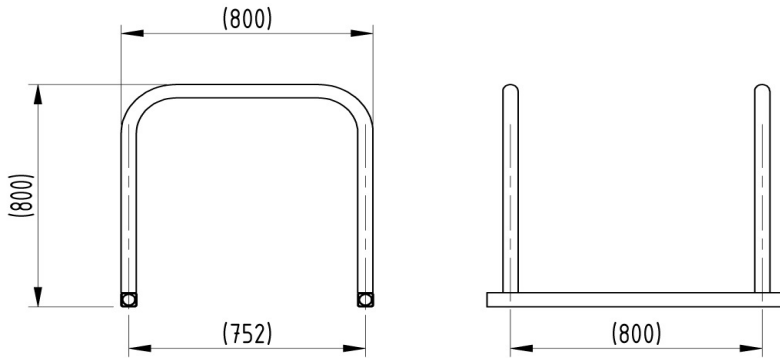




Sheffield Cycle Toastrack Galvanised



The Sheffield Cycle Toastrack is a floor fixed cycle rack based upon the Sheffield Cycle Stand. The Sheffield Cycle Toastrack consists of Sheffield Cycle Stands welded at 800mm centres to floor fixed box section rails. The benefits of a Cycle Toastrack over individual stands are reduced installation costs and pre-determined gaps between stands, each stand is suitable for parking two bicycles. The Sheffield Toastrack is ideal where cycle parking in large numbers is required.

The practical and durable nature of the Sheffield Cycle Toastrack ensures that the rack is suitable for all environments where high density of cycle parking is required. The Sheffield Toastrack is shown in galvanised finish; Galvanised & Coated finish and Stainless Steel are also available.



<u>Part Number</u>	<u>Description</u>	<u>Weight (kg)</u>
138 200 302	2 Stand Sheffield Toastrack Galvanised	19kg
138 200 303	3 Stand Sheffield Toastrack Galvanised	32kg
138 200 304	4 Stand Sheffield Toastrack Galvanised	45kg
138 200 305	5 Stand Sheffield Toastrack Galvanised	58kg
138 200 306	6 Stand Sheffield Toastrack Galvanised	71kg
138 200 307	7 Stand Sheffield Toastrack Galvanised	84kg
138 200 308	8 Stand Sheffield Toastrack Galvanised	97kg

Product details

- 800mm x 800mm (height x width)
- 800mm distance between stands (centre to centre)
- Length varies per number of cycle stands
- Price excludes fixing down bolts
- 50mm x 50mm box section

Installation & use

Fix using M12 bolts to a suitable concrete surface.
First stand should be no closer than 400mm from nearest obstruction.
This product is guaranteed for 12 months (if installed and used correctly).



www.autopa.co.uk
+44 (0)1788 550556

AUTOPA Limited
Cottage Leap, Rugby, Warwickshire CV21 3XP

