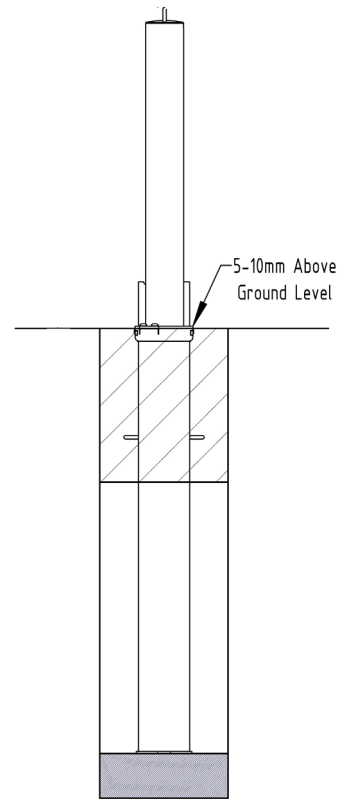
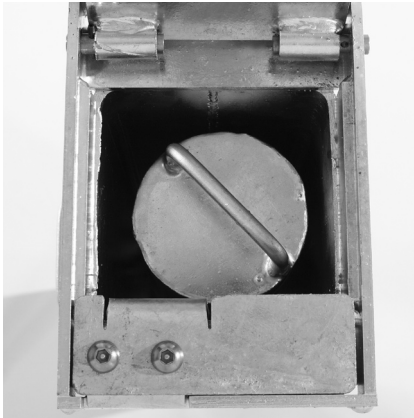




Retractapost 745

745mm

Galvanised, Galvanised & Colour or Stainless



The RetractaPost is a simple, cost effective, yet highly effective way to prevent unwanted vehicle access. The RetractaPost is raised and lowered vertically. When lowered the post is fully below ground and covered using the integral lid. The post is padlockable (padlock not supplied) in the raised position by first rotating the post 45° and then attaching the padlock between the post to the lid. The RetractaPost 745 is 745mm above ground in the raised position.

The RetractaPost is ideal for protecting vehicle forecourts, commercial premises, car parks and domestic driveways.

Part Number	Description	Lift Weight (kg)	Weight (kg)
138 130 362	60mm Galvanised	5kg	18kg
138 130 367	60mm Galvanised & Colour	5kg	18kg
138 130 368	60mm Stainless	4kg	17kg
138 130 360	76mm Galvanised	6kg	19kg
138 130 365	76mm Galvanised & Colour	6kg	19kg
138 130 369	76mm Stainless	5kg	18kg
138 130 400	90mm Galvanised	7kg	27kg
138 130 405	90mm Galvanised & Colour	7kg	27kg
138 130 419	90mm Stainless	6kg	26kg

Product details

- 745mm (Height above ground when raised)
- Other colours can be provided on request (RAL no. to be advised)
- 3mm wall thickness - Galvanised and galvanised & colour
- Socket - 1010mm (below ground)
- Red/White chevron tape available extra
- 2mm wall thickness - Stainless steel

Installation & use

It is recommended that posts are placed no further than 1,200mm apart to ensure no vehicle may pass between the raised posts. An excavated hole (no less than 1,200mm deep and 300mm diameter) is required for installation. Provision for suitable drainage must be made (chippings or similar) at the bottom of the hole. The uppermost 3-400mm must be concrete. The lid of the post should be no more than 10mm above finished ground level. This product is guaranteed for 12 months (if installed and used correctly).



www.startsafety.uk
+44 (0)1905 794875

Start Safety UK
Drury Lane, Martin Hussingtree WR3 8TD

