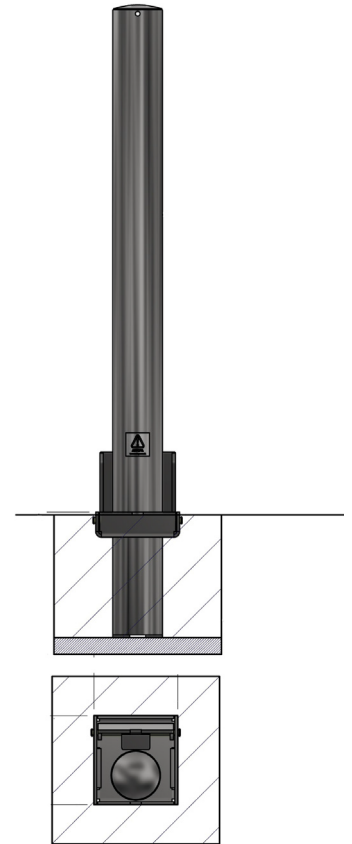




# Removable Bollard 900mm Above Ground 60mm - 90mm Diameter Galvanised or Galvanised & Colour



The Removable Bollard offers an effective, simple and robust way to protect premises and vehicles. Removable Bollards are particularly suitable for locations where occasional access is required, the simple tab and padlock system provides an easy to operate solution for locking the bollard in place. The Removable Bollard is 900mm above ground and is available in a range of outside tube diameter sizes from 90mm through to 168mm. Padlock to secure is available at an extra cost.

The Removable Bollard 900 is ideal for protecting vehicle forecourts, commercial premises, car parks and domestic driveways and can be used in conjunction with fixed bollards as part of a security system for all types of premises.

<u>Part Number</u>	<u>Description</u>	<u>Lift Weight (kg)</u>	<u>Weight (kg)</u>
138 121 115	60mm Galvanised - Removable	4kg	8kg
138 121 115B	60mm Galvanised & Black - Removable	4kg	8kg
138 121 115Y	60mm Galvanised & Yellow - Removable	4kg	8kg
138 121 115C	60mm Galvanised & Colour - Removable	4kg	8kg
138 121 250	76mm Galvanised - Removable	6kg	10kg
138 121 250B	76mm Galvanised & Black - Removable	6kg	10kg
138 121 250Y	76mm Galvanised & Yellow - Removable	6kg	10kg
138 121 250C	76mm Galvanised & Colour - Removable	6kg	10kg
138 121 291	90mm Galvanised - Removable	7kg	13kg
138 121 291B	90mm Galvanised & Black - Removable	7kg	13kg
138 121 291Y	90mm Galvanised & Yellow - Removable	7kg	13kg
138 121 291C	90mm Galvanised & Colour - Removable	7kg	13kg

## Product details

- 900mm (Height above ground)
- 3mm Wall thickness
- Socket - 220mm (below ground)
- Price excludes padlock to secure

## Installation & use

Bolt down to a suitable concrete surface.  
Telescopic, removable and concrete in are supplied with welded fixing spikes to ensure firm ground anchorage into concrete.  
Telescopic, removable and concrete in require a suitable excavated hole for installing into concrete.  
Products are guaranteed for 12 months (if installed and used correctly).



[www.startsafety.uk](http://www.startsafety.uk)  
+44 (0)1905 794875

Start Safety UK  
Drury Lane, Martin Hussingtree WR3 8TD

