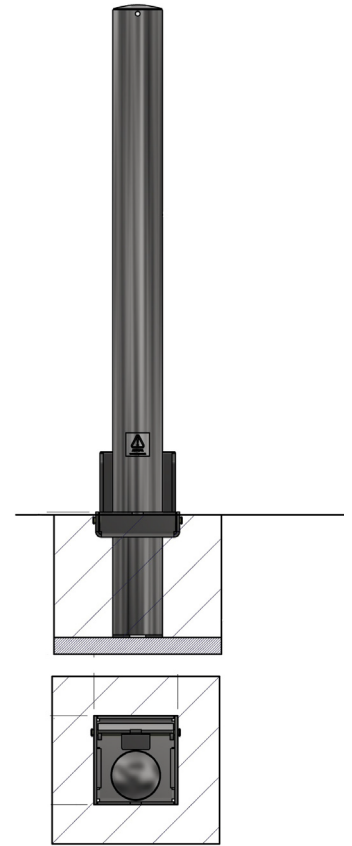




Removable Bollard 900mm Above Ground 139mm - 168mm Diameter Galvanised or Galvanised & Colour



The Removable Bollard offers an effective, simple and robust way to protect premises and vehicles. Removable Bollards are particularly suitable for locations where occasional access is required, the simple tab and padlock system provides an easy to operate solution for locking the bollard in place. The Removable Bollard is 900mm above ground and is available in a range of outside tube diameter sizes from 90mm through to 139mm. Padlock to secure is available at an extra cost.

The Removable Bollard 900 is ideal for protecting vehicle forecourts, commercial premises, car parks and domestic driveways and can be used in conjunction with fixed bollards as part of a security system for all types of premises.

Part Number	Description	Lift Weight (kg)	Weight (kg)
138 121 621	139mm Galvanised - Removable	20kg	28kg
138 121 622B	139mm Galvanised & Black - Removable	20kg	28kg
138 121 622Y	139mm Galvanised & Yellow - Removable	20kg	28kg
138 121 622	139mm Galvanised & Colour - Removable	20kg	28kg
138 121 699	168mm Galvanised - Removable	24kg	37kg
138 121 699B	168mm Galvanised & Black - Removable	24kg	37kg
138 121 699Y	168mm Galvanised & Yellow - Removable	24kg	37kg
138 121 699C	168mm Galvanised & Colour - Removable	24kg	37kg

Product details

- 900mm (Height above ground)
- 5mm Wall thickness
- Socket - 300mm (below ground)
- Price excludes padlock to secure

Installation & use

Bolt down to a suitable concrete surface.
Telescopic, removable and concrete in are supplied with welded fixing spikes to ensure firm ground anchorage into concrete.
Telescopic, removable and concrete in require a suitable excavated hole for installing into concrete.
Products are guaranteed for 12 months (if installed and used correctly).



www.startsafety.uk
+44 (0)1905 794875

Start Safety UK
Drury Lane, Martin Hussingtree WR3 8TD

