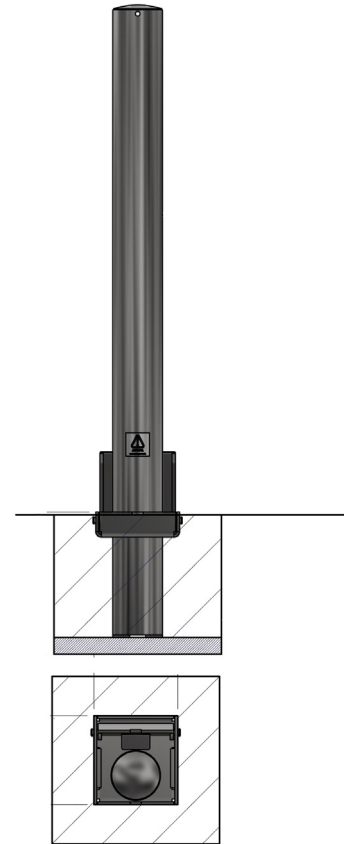




# Removable Bollard 900mm Above Ground 101mm - 127mm Diameter Galvanised or Galvanised & Colour



The Removable Bollard offers an effective, simple and robust way to protect premises and vehicles. Removable Bollards are particularly suitable for locations where occasional access is required, the simple tab and padlock system provides an easy to operate solution for locking the bollard in place. The Removable Bollard is 900mm above ground and is available in a range of outside tube diameter sizes from 90mm through to 139mm. Padlock to secure is available at an extra cost.

The Removable Bollard 900 is ideal for protecting vehicle forecourts, commercial premises, car parks and domestic driveways and can be used in conjunction with fixed bollards as part of a security system for all types of premises.

<u>Part Number</u>	<u>Description</u>	<u>Lift Weight (kg)</u>	<u>Weight (kg)</u>
138 121 309	101mm Galvanised - Removable	9kg	17kg
138 121 310B	101mm Galvanised & Black - Removable	9kg	17kg
138 121 310Y	101mm Galvanised & Yellow - Removable	9kg	17kg
138 121 310	101mm Galvanised & Colour - Removable	9kg	17kg
138 121 425	114mm Galvanised - Removable	10kg	18kg
138 121 435B	114mm Galvanised & Black - Removable	10kg	18kg
138 121 435Y	114mm Galvanised & Yellow - Removable	10kg	18kg
138 121 435	114mm Galvanised & Colour - Removable	10kg	18kg
138 121 525	127mm Galvanised - Removable	11kg	19kg
138 121 526B	127mm Galvanised & Black - Removable	11kg	19kg
138 121 526Y	127mm Galvanised & Yellow - Removable	11kg	19kg
138 121 526	127mm Galvanised & Colour - Removable	11kg	19kg

## Product details

- 900mm (Height above ground)
- 3mm Wall thickness
- Socket - 300mm (below ground)
- Price excludes padlock to secure

## Installation & use

Bolt down to a suitable concrete surface.  
Telescopic, removable and concrete in are supplied with welded fixing spikes to ensure firm ground anchorage into concrete.  
Telescopic, removable and concrete in require a suitable excavated hole for installing into concrete.  
Products are guaranteed for 12 months (if installed and used correctly).



[www.startsafety.uk](http://www.startsafety.uk)  
+44 (0)1905 794875

Start Safety UK  
Drury Lane, Martin Hussingtree WR3 8TD

