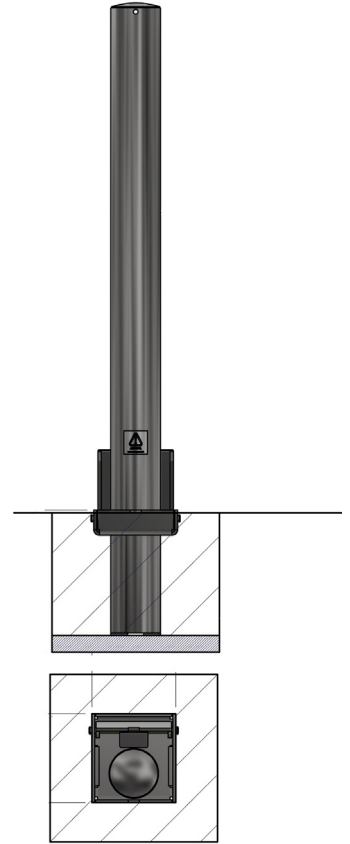




# Removable Bollard 1000mm Above Ground 60mm - 101mm Diameter Galvanised or Galvanised & Colour



The Removable Bollard offers an effective, simple and robust way to protect premises and vehicles. Removable Bollards are particularly suitable for locations where occasional access is required, the simple tab and padlock system provides an easy to operate solution for locking the bollard in place. The Removable Bollard is 1,000mm above ground and is available in a range of outside tube diameter sizes from 60mm through to 219mm. Padlock to secure is available at an extra cost.

The Removable Bollard 1000 is ideal for protecting vehicle forecourts, commercial premises, car parks and domestic driveways and can be used in conjunction with fixed bollards as part of a security system for all types of premises.

Part Number	Description	Lift Weight (kg)	Weight (kg)
138 121 125	60mm Galvanised - Removable	6kg	10kg
138 121 126B	60mm Galvanised & Black - Removable	6kg	10kg
138 121 126	60mm Galvanised & Colour - Removable	6kg	10kg
138 121 215	76mm Galvanised - Removable	7kg	11kg
138 121 213B	76mm Galvanised & Black - Removable	7kg	11kg
138 121 213	76mm Galvanised & Colour - Removable	7kg	11kg
138 121 280	90mm Galvanised - Removable	9kg	13kg
138 121 281B	90mm Galvanised & Black - Removable	9kg	13kg
138 121 281	90mm Galvanised & Colour - Removable	9kg	13kg
138 121 307	101mm Galvanised - Removable	10kg	18kg
138 121 302B	101mm Galvanised & Black - Removable	10kg	18kg
138 121 302	101mm Galvanised & Colour - Removable	10kg	18kg

## Product details

- 1000mm (Height above ground)
- 3mm wall thickness
- Socket - 220mm (below ground) - 60mm - 90mm diameter
- Socket - 300mm (below ground) - 101mm diameter
- Price excludes padlock to secure

## Installation & use

Bolt down to a suitable concrete surface.  
Telescopic, removable and concrete in are supplied with welded fixing spikes to ensure firm ground anchorage into concrete.  
Telescopic, removable and concrete in require a suitable excavated hole for installing into concrete.  
Products are guaranteed for 12 months (if installed and used correctly).



[www.autopa.co.uk](http://www.autopa.co.uk)  
+44 (0)1788 550556

AUTOPA Limited  
Cottage Leap, Rugby, Warwickshire CV21 3XP

