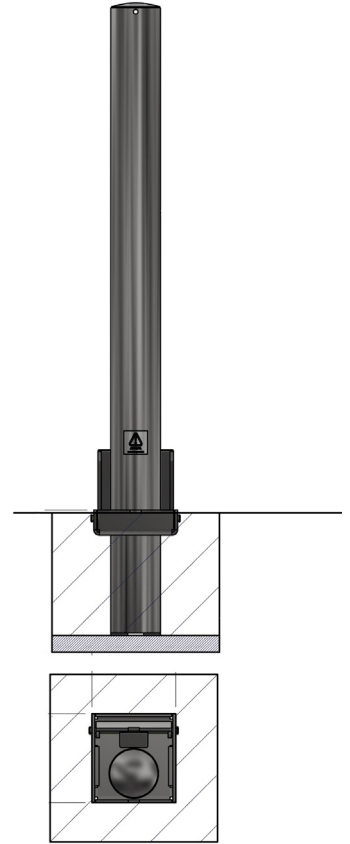




Removable Bollard 1000mm Above Ground 168mm - 219mm Diameter Galvanised or Galvanised & Colour



The Removable Bollard offers an effective, simple and robust way to protect premises and vehicles. Removable Bollards are particularly suitable for locations where occasional access is required, the simple tab and padlock system provides an easy to operate solution for locking the bollard in place. The Removable Bollard is 1,000mm above ground and is available in a range of outside tube diameter sizes from 60mm through to 219mm. Padlock to secure is available at an extra cost. Padlock to secure is available at an extra cost.

The Removable Bollard 1000 is ideal for protecting vehicle forecourts, commercial premises, car parks and domestic driveways and can be used in conjunction with fixed bollards as part of a security system for all types of premises.

Part Number	Description	Lift Weight (kg)	Weight (kg)
138 121 705	168mm Galvanised - Removable	28kg	41kg
138 121 708B	168mm Galvanised & Black - Removable	28kg	41kg
138 121 708	168mm Galvanised & Colour - Removable	28kg	41kg
138 121 800	193mm Galvanised - Removable	33kg	46kg
138 121 810B	193mm Galvanised & Black - Removable	33kg	46kg
138 121 810	193mm Galvanised & Colour - Removable	33kg	46kg
138 121 919	219mm Galvanised - Removable	37kg	50kg
138 121 919B	219mm Galvanised & Black - Removable	37kg	50kg
138 121 919C	219mm Galvanised & Colour - Removable	37kg	50kg

Product details

- 1000mm (Height above ground)
- 5mm wall thickness
- Socket - 300mm (below ground)
- Price excludes padlock to secure

Installation & use

Bolt down to a suitable concrete surface.
Telescopic, removable and concrete in are supplied with welded fixing spikes to ensure firm ground anchorage into concrete.
Telescopic, removable and concrete in require a suitable excavated hole for installing into concrete.
Products are guaranteed for 12 months (if installed and used correctly).



www.autopa.co.uk
+44 (0)1788 550556

AUTOPA Limited
Cottage Leap, Rugby, Warwickshire CV21 3XP

