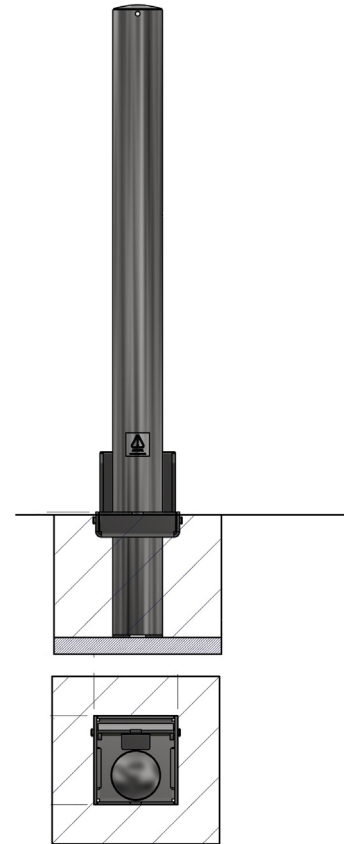




# Removable Bollard 1000mm Above Ground 114mm - 152mm Diameter Galvanised or Galvanised & Colour



The Removable Bollard offers an effective, simple and robust way to protect premises and vehicles. Removable Bollards are particularly suitable for locations where occasional access is required, the simple tab and padlock system provides an easy to operate solution for locking the bollard in place. The Removable Bollard is 1,000mm above ground and is available in a range of outside tube diameter sizes from 60mm through to 219mm. Padlock to secure is available at an extra cost.

The Removable Bollard 1000 is ideal for protecting vehicle forecourts, commercial premises, car parks and domestic driveways and can be used in conjunction with fixed bollards as part of a security system for all types of premises.

Part Number	Description	Lift Weight (kg)	Weight (kg)
138 121 408	114mm Galvanised - Removable	12kg	20kg
138 121 411B	114mm Galvanised & Black - Removable	12kg	20kg
138 121 411	114mm Galvanised & Colour - Removable	12kg	20kg
138 121 507	127mm Galvanised - Removable	13kg	21kg
138 121 509B	127mm Galvanised & Black - Removable	13kg	21kg
138 121 509	127mm Galvanised & Colour - Removable	13kg	21kg
138 121 611	139mm Galvanised - Removable	23kg	31kg
138 121 601B	139mm Galvanised & Black - Removable	23kg	31kg
138 121 601	139mm Galvanised & Colour - Removable	23kg	31kg
138 121 677	152mm Galvanised - Removable	15kg	23kg
138 121 667B	152mm Galvanised & Black - Removable	15kg	23kg
138 121 667	152mm Galvanised & Colour - Removable	15kg	23kg

## Product details

- 1000mm (Height above ground)
- 3mm wall thickness - 114mm, 127mm, and 152mm
- 5mm wall thickness - 139mm
- Socket - 300mm (below ground)
- Price excludes padlock to secure

## Installation & use

Bolt down to a suitable concrete surface.  
Telescopic, removable and concrete in are supplied with welded fixing spikes to ensure firm ground anchorage into concrete.  
Telescopic, removable and concrete in require a suitable excavated hole for installing into concrete.  
Products are guaranteed for 12 months (if installed and used correctly).



[www.autopa.co.uk](http://www.autopa.co.uk)  
+44 (0)1788 550556

AUTOPA Limited  
Cottage Leap, Rugby, Warwickshire CV21 3XP

