



Bilton Cycle Stand

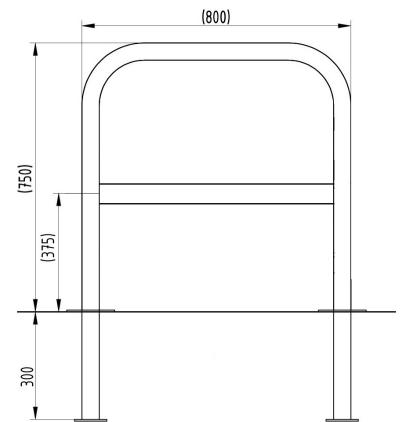
Galvanised, Galvanised & Colour or Stainless



The tubular cycle stand, a familiar sight throughout the UK, allows the frame of the bicycle to be secured by the users own security lock.

Suitable for securing two bicycles.

The practical and durable nature of the Bilton tubular cycle stand ensures it has been consistently favoured by both specifiers and users since it's introduction in the 2000's.



Part Number	Description	Weight (kg)
138 515 105	Galvanised - Concrete In	11kg
138 515 101	Galvanised - Bolt Down	10kg
138 515 110	Galvanised & Black - Concrete In	11kg
138 515 102	Galvanised & Black - Bolt Down	10kg
138 515 112	Galvanised & Colour - Concrete In	11kg
138 515 103	Galvanised & Colour - Bolt Down	10kg
138 515 114	Stainless Steel Grade 304 - Concrete In	11kg
138 515 104	Stainless Steel Grade 304 - Bolt Down	9kg
138 515 115	Stainless Steel Grade 316 - Concrete In	11kg
138 515 116	Stainless Steel Grade 316 - Bolt Down	9kg

Product details

- 48mm diameter
- 750mm x 800mm (height x length)
- Concrete in 300mm (below ground)
- Round flange plate – 133mm x 5mm
- Each stand requires 6 bolts (bolt down)

Installation & use

Bolt down to a suitable concrete surface.
 Telescopic, removable and concrete in are supplied with welded fixing spikes to ensure firm ground anchorage into concrete.
 Telescopic, removable and concrete in require a suitable excavated hole for installing into concrete.
 Products are guaranteed for 12 months (if installed and used correctly).



www.autopa.co.uk
 +44 (0)1788 550556

AUTOPA Limited
 Cottage Leap, Rugby, Warwickshire CV21 3XP

