

TRAFFIC-LINE Hose/Cable Ramps – Reel form



Effectively manage and protect cables and hoses from drive-over damage with this product. Easily deployed – roll out – cut to length and press cable or hose into the recess – done.

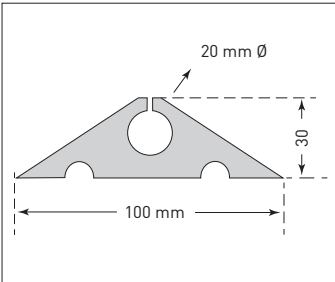
- Manufactured from rubber
- Easily cut to length
- Ideal for roads and construction sites
- Cost effective

Manufactured in a flexible high strength rubber mixture, it's low 30mm height affords safe and comfortable drive over. The **TRAFFIC-LINE** hose and cable protector provides a low-cost solution for the protection of hoses and cables over long distances.

Extremely strong and durable – can withstand the weight of HGV's and lift trucks.

Maximum recommended drive over speed 5 to 10mph.

Capacity: Hoses and cables up to 20mm Ø
 Dimensions: 100mm W x 10,000mm L x 30mm H



Dimensions (mm) W x L x H	Delivery weight (kg/ea.)	Reference	Typical despatch time (working days)
100 x 10,000 x 30	21	279.26.118	1 / 2 days

TRAFFIC-LINE Cable/Hose Ramps – Small



For fast easy deployment use **TRAFFIC-LINE** Cable/Hose Protection Ramps. Manufactured in recycled rubber for long service life, they are designed to protect cables/hoses from light traffic up to HGV trucks. The profiled upper surface has a ribbed anti-slip feature, whilst the bottom surface features anti-slip ribbing.

- Easy and quick to deploy
- Tough flexible materials
- High visibility with alternating Black/Yellow sections
- Protect cables/hoses up to 40mm Ø

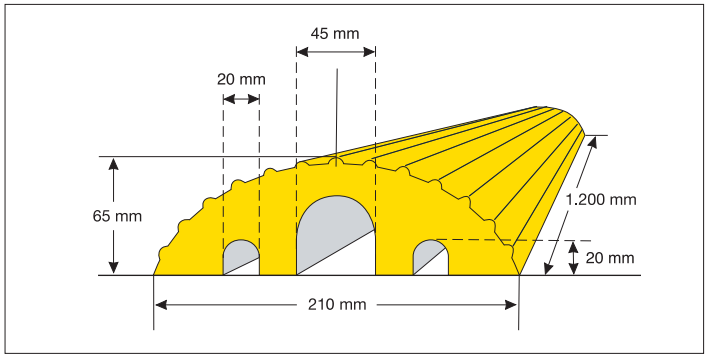
They are used in areas such as emergency services, construction sites, road works etc.

Drive over height is 65mm – recommended speed 3 – 6 mph.

Specification:
 Size (mm): 1,200 L x 210 W x 65 H
 Material: Recycled rubber
 Colours: Black, Yellow
 Channels: 3 Channels – 1 x 45mm
 2 x 20mm



We recommend that appropriate warning signs are used with this product.



Dimensions (mm) L x W x H	Colour	Delivery weight (kg/ea.)	Reference	Typical despatch time (working days)
1,200 x 210 x 65	yellow	12.8	279.28.720	1 / 2 days
	black		279.21.784	