



- Easily and quickly deployed
- Extremely resilient
- Yellow reflective strips for day/night visibility
- Reduces traffic speed

**TRAFFIC-LINE** Hose/Cable Ramps

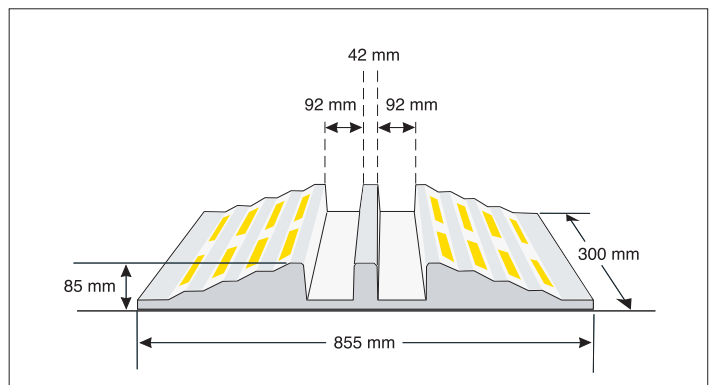
The **TRAFFIC-LINE** Hose/Cable Ramp is a quick and easy method of protecting cables and hoses from passing traffic up to HGV weight (40 tonnes).

Ideal for temporary or semi-permanent situations they can be used individually or joined together. Used by many fire brigades these versatile ramps are also used by contractors, building sites, pumping operations etc.

**Specification:**

- Size (mm): 855 L x 300 W x 85 H
- Material: Rubber
- Colour: Black with yellow reflective strips
- Capacity: 2 x 75mm Ø Hoses/Cables

Other sizes available – please ask for details.



Dimensions (mm) L x W x H	Delivery weight (kg/ea.)	Reference	Typical despatch time (working days)
855 x 300 x 85	8.5	279.14.327	1 / 2 days

