



- Indoor installation only
- High quality steel
- Opening angle 90°
- Option of manual and self-closing styles
- Warning sign panel
- Can be retrofitted



BLACK BULL Railing Gate – Manual or Self-closing styles.

The **BLACK BULL Railing Gate** has been designed specifically for use with our MD and HD Railing Systems being identical for both systems with the exception of the fittings. The manual style gates are designed to fix to End Posts, Centre Posts or Corner Posts. The newly introduced self-closing gate has its own specifically designed installation post (see table).

Both styles can be hung either on the left-hand side or the right-hand side and can be opened up to 90° either inwards or outwards. This range of options ensures that the **BLACK BULL Railing Gate** range is even more versatile and will suit most applications.

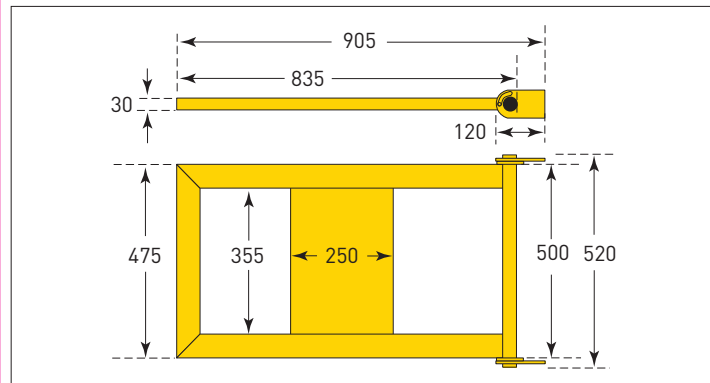
Manufactured from high quality steel with a welded protective panel for additional strength, better visibility and to which a warning sign can be attached if required. (Sign not supplied).

Two styles:

- For manual opening and closing. No need for special posts – gate fits all posts.
- **NEW!** Gas-spring powered self-closing action. Requires separate installation post (see table).

Specification:

Gate size: 835 x 475mm
 O/all size: 905 x 520mm
 Frame profile: 60 x 30mm
 Wall thickness: 2mm
 Protective panel: 250 x 355mm
 Finish: Powder coated
 Colour: Yellow



Gate	Delivery weight (kg/ea.)	Reference	Typical despatch time (working days)
HD – Manual	12	194.29.743	5 / 10 days
MD – Manual		194.20.653	
NEW! HD – Self closing	30	194.26.359	5 / 10 days
MD – Self closing		194.28.624	