

Collision Protection



- Flexible cushioning
- Dimensionally stable
- Installed without tools
- TUV approved
- Meets requirements of DIN EN 15512



TRAFFIC-LINE Pallet Racking Protectors

Plastic

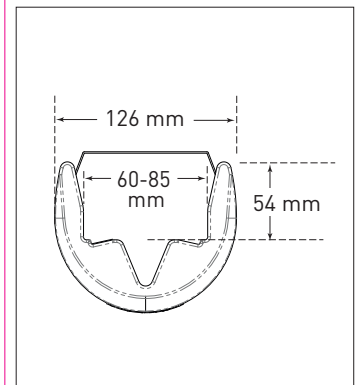
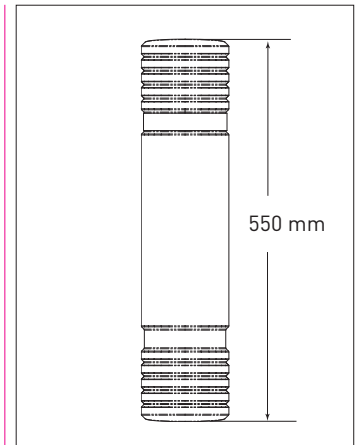
Impact Protection for pallet racking uprights manufactured from high quality polyethylene. Easily and quickly secured by two Velcro straps – no drilling into the floor required.

- For racking uprights 60 to 85mm.
- Fixing by Velcro tape.
- Protects floor from damage.
- Recyclable.

Dimensions (mm): 600 H x 143 W x 85 D

Note:

According to DGUV Rule 108-007 (formerly BGR 234) plastic impact protection products associated with pallet racking uprights should not be used on corners or passageways. In this situation it is recommended to use steel protection bolted to the floor.



Dimensions (mm) H x W x D	Delivery weight (kg/ea.)	Reference	Typical despatch time (working days)
600 x 143 x 85	1	197.29.201	1 / 2 days