

Self Retractable Lifeline

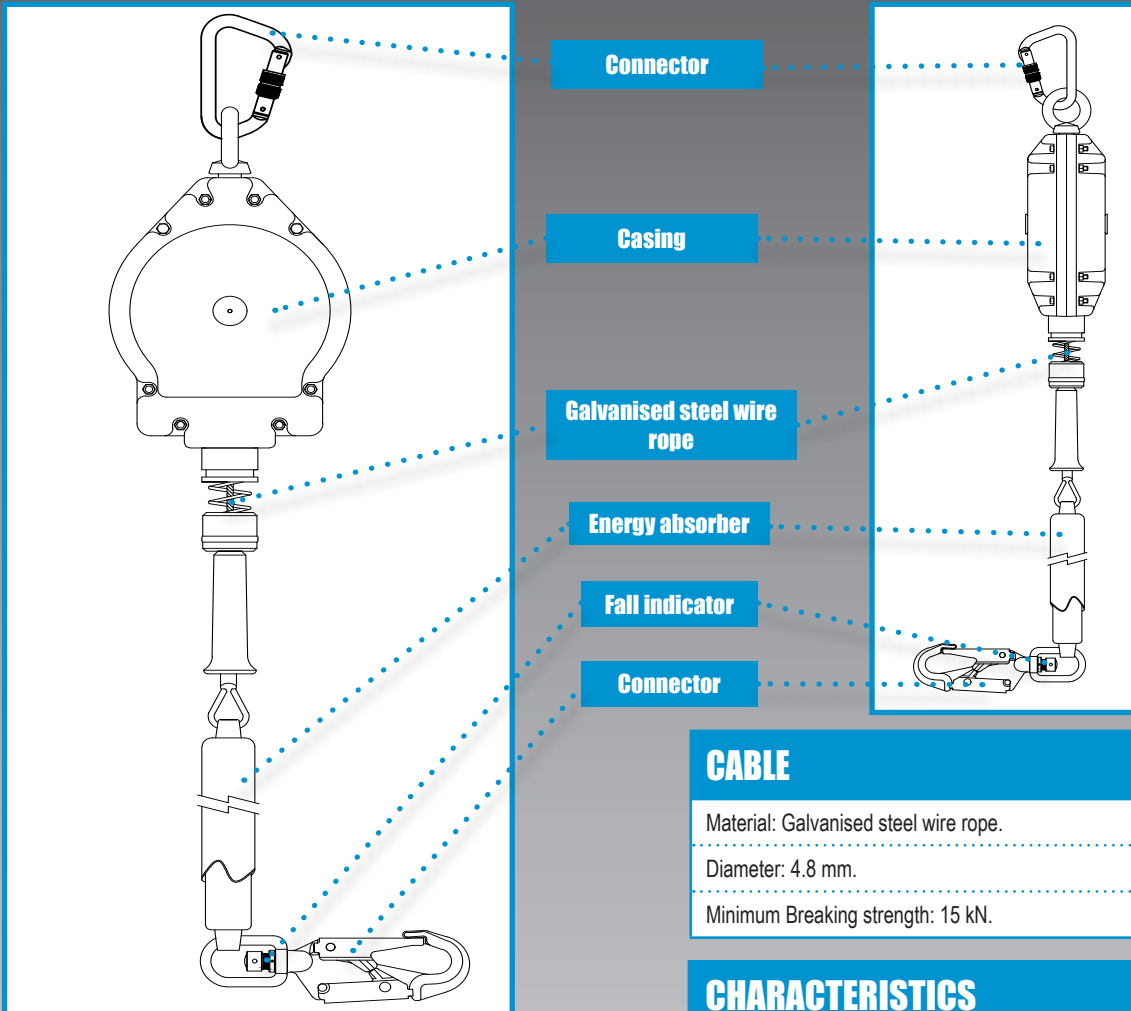
10 METERS SHARP EDGE

This range of retractable fall limiters are encased in nearly indestructible plastic to give them an edge on sites where they are used. The fall limiters have been tested rigorously in all types of situations. Can be used in sharp edge applications like terrace roofs.

**TECHNICAL
SPECIFICATION**

HEIGHT SAFETY

FAR0721



DIMENSIONS

Length: 10 meters.

Weight: 4447 g (+/- 20 g).

CLEANING & MAINTENANCE

In case of minor soiling, wipe the equipment with a cotton cloth or soft brush. Do not use any abrasive material. For intensive cleaning wash in water at a temperature between 25°C to 50°C using a neutral detergent. It should be allowed to dry by itself and be kept away from open fires/flames or any other source of heat. Avoid direct sunlight.

The user should carry out a pre-use check of the Self Retractable Lifeline, to ensure that it is in a serviceable condition and operates correctly before it is used.

The pre-use check shall involve checking of any wear or abrasion on wire ropes/webbing and sign of corrosion if any on metal parts or any breakage of the casing.

CABLE

Material: Galvanised steel wire rope.

Diameter: 4.8 mm.

Minimum Breaking strength: 15 kN.

CHARACTERISTICS

Robust and durable plastic casing.

Swivel anchorage eye at anchorage end.

Energy absorber.

1 screw gate aluminium connector at the anchorage point.

Gate opening: 22 mm. Conforms to EN362:2004 Class B.

Steel swivel snap hook with fall indicator at the attachment point.

Gate opening: 20 mm, conforms to EN362:2004 Class T.

CONFORMITY

EN 360: 2002 Rated to 100 kg, VG 11 RFU CNB/P/11.060

The lifespan of the product is 10 years from the date of manufacture subject to passing necessary checks and inspection by a competent person.

Static strength: 13 kN for 3 min

Dynamic strength: 100 kg mass free fall of 600 mm with the breaking force of less than 6 kN & arrest distance less than 2 meters.