

## PRODUCT INFORMATION

### SUMMARY

A fixing optimised for road applications, commonly used to secure down speed bumps, bollards and bases, bike stands, shelters and other traffic / street furniture. Its unique design allows a strong anchor into difficult materials such as tarmac, asphalt as well as concrete.

### FEATURES & BENEFITS

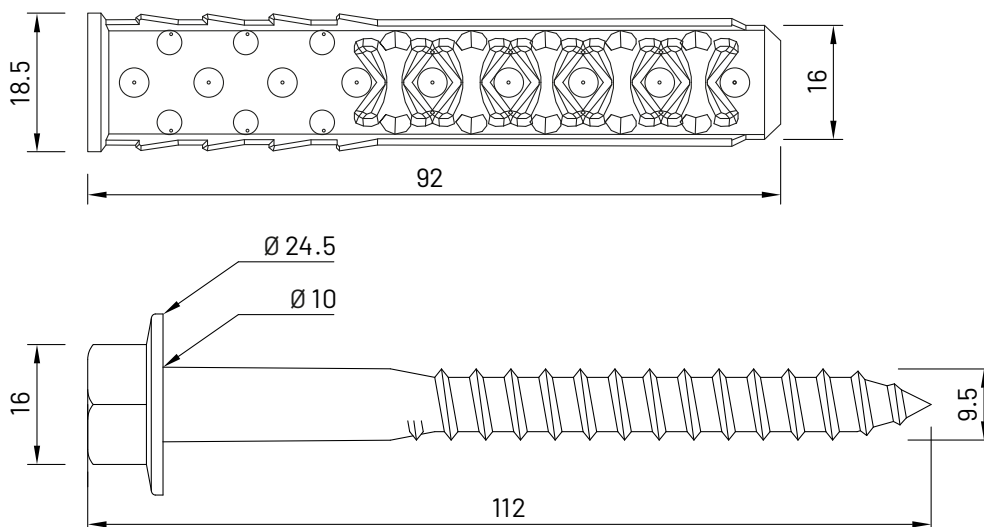
- Optimised for speed bump, traffic, road and street furniture applications.
- Extra thick, heavy duty, hot dip galvanized plating for long term corrosion resistance.
- Integrated, extra wide flange head to minimise or eliminate the need for washers.
- Oversized 16mm diameter nylon plug distributes loads more evenly.
- Unique plug design maximises traction in uneven materials such as tarmac.

### COMMON APPLICATIONS\*

- Speed bumps and speed ramps.
- Bollards and post bases.
- Bike shelters and similar structures.
- Bike stands, bike docks and other street furniture.

\*The suitability of this fixing for a particular application must be assessed based on the site, conditions, substrate and intended use.

## TECHNICAL, DRAWINGS AND SPECIFICATION



**Note:** All dimensions are in mm

## TECHNICAL, DRAWINGS AND SPECIFICATION

Plug	Material	Nylon Polyamide
	Weight	15g
	Drill hole diameter	16mm
	Drill hole depth	≥ 100mm
Screw	Material	High Grade Steel
	Plating	Hot-Dip Galvanized
	Weight	60g
	Nut driver / Wrench size	16mm

## INSTALLATION GUIDE

1. Mark and drill hole with a good quality, 16mm diameter SDS style drill bit. Ensure it is drilled vertically to a depth of ≥ 100mm.
2. Remove dust and loose material from the hole using an air pump and / or a hole brush.
3. Insert the plug into the hole with a hammer. Ensure it is inserted fully into the hole.
4. Place the object you are fastening to the ground over the hole. Place the screw through the hole and tighten until good compression is achieved.

### Installation Tips

**Marking holes:** Rough or difficult to mark surfaces can be simplified using a spray chalk marking tool such as the Marxman marking tool.

**Tightening screws:** Using a nut driver to tighten multiple screws will save significant time. A 16mm face-to-face sized nut driver is required.

## COMMERCIAL & ORDERING

Product Code	IGS-UNI-16-HDS
EAN-13	0722208948716
UPC-12	722208948716
Quantity Per Box	25 sets
Weight Per Box	~ 1.9kg
Quantity Per Pallet	7000 sets
Weight Per Pallet	~ 530kg