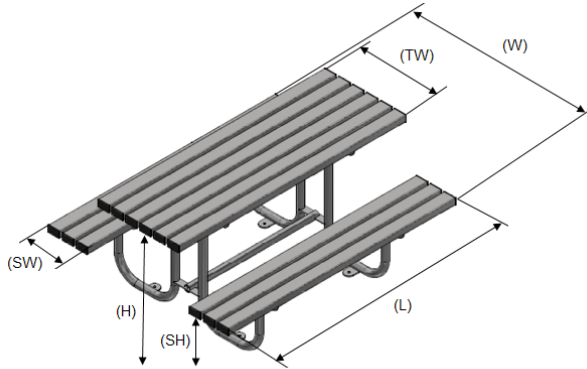




Triton Picnic Table 1800mm Galvanised or Galvanised & Colour



The Triton Picnic Table from AUTOPA open spaces is perfect for use in busy public spaces like retail and business parks, and schools. Great value, functional, low maintenance and robust. Manufactured from galvanised mild steel, this will complement any site, looking good for many years with only minimal maintenance.

The Triton Picnic Table is supplied in galvanised mild steel. Powder coating is an optional extra (BS/RAL numbers must be stated at time of order).

Available Bolt down only.



<u>Part Number</u>	<u>Description</u>	<u>Weight (kg)</u>
138 117 140	Triton Picnic Table, Galvanised - Bolt Down	163kg
138 117 141	Triton Picnic Table, Galvanised & Colour - Bolt Down	163kg

Product details

- Table - 1800mm x 645mm x 854mm (length x width x height)
- Seat - 1800mm x 312mm x 480mm (length x width x height)
- Overall width - 1300mm
- Complete with plastic end caps
- Each picnic table requires 4 x 12mm bolts

Installation & use

Supplied fully welded for easy installation on site.
Bolt down versions require bolting to an appropriate concrete surface by means of four 12mm bolts.
These products are guaranteed for 12 months (if installed and used correctly).



☎ 01905 794 875
🌐 StartSafety.uk
✉ sales@startsafety.uk

