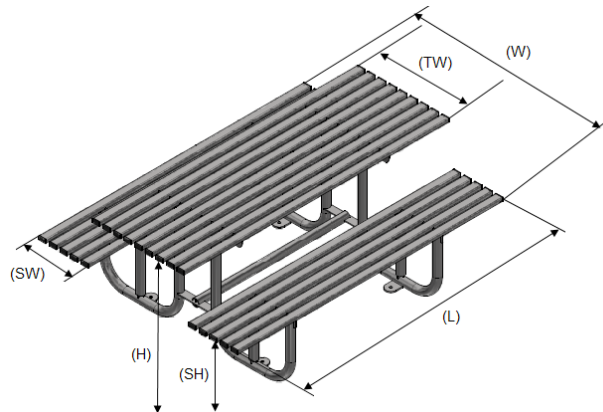




Haddon Picnic Table 1800mm Galvanised, Galvanised & Colour or Stainless



With a simple and traditional design, the Haddon Picnic Table from AUTOPA open spaces is perfect for use in busy public spaces like schools, parks and playgrounds. Manufactured from galvanised mild steel, this robust range will complement any site, looking good for many years with only minimal maintenance.

The Haddon Picnic Table is supplied in galvanised mild steel. Powder coating is an optional extra (BS/RAL numbers must be stated at time of order).

Available bolt down only.



<u>Part Number</u>	<u>Description</u>	<u>Weight (kg)</u>
138 117 150	Haddon Picnic Table, Galvanised - Bolt Down	125kg
138 117 151	Haddon Picnic Table, Galvanised & Colour - Bolt Down	125kg
138 117 156	Haddon Picnic Table, Stainless Steel Grade 304 - Bolt Down	111kg

Product details

- Table - 1800mm x 626mm x 739mm (length x width x height)
- Seat - 1800mm x 338mm x 455mm (length x width x height)
- Overall width - 1310mm
- Galvanised/galvanised & coated finish complete with plastic end caps
- Each picnic table requires 4 x 12mm bolts

Installation & use

Supplied fully welded for easy installation on site.
Bolt down versions require bolting to an appropriate concrete surface by means of four 12mm bolts.
These products are guaranteed for 12 months (if installed and used correctly).



☎ 01905 794 875
🌐 StartSafety.uk
✉ sales@startsafety.uk

