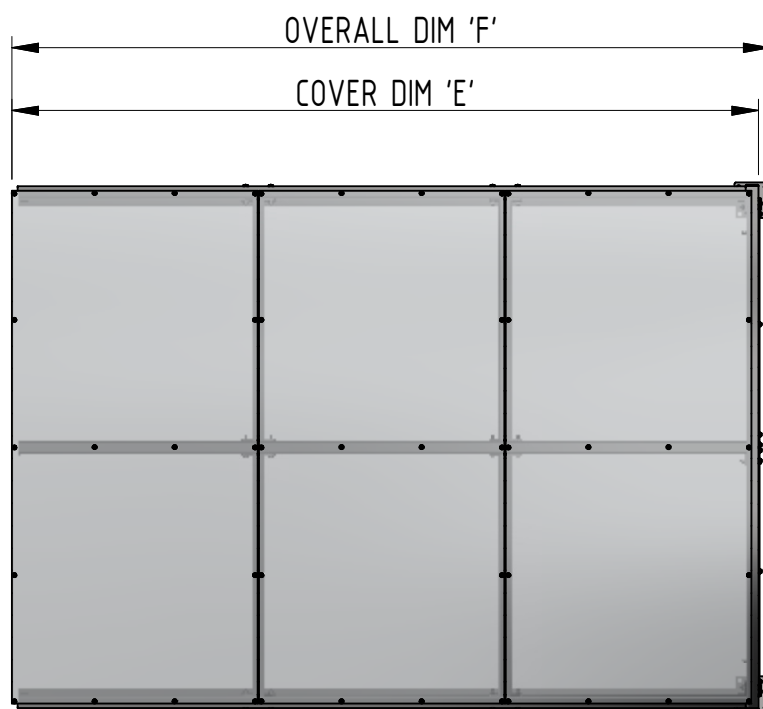


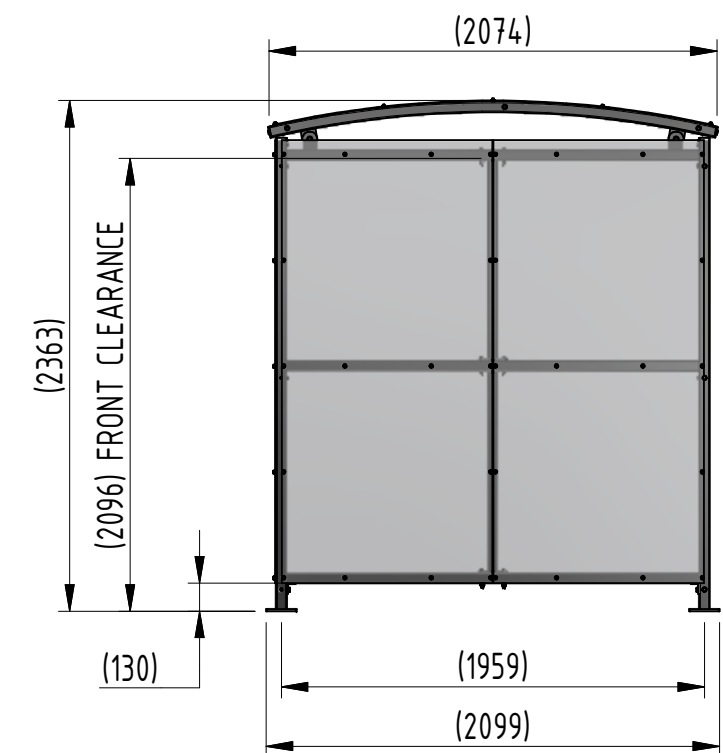
MAIN BAY

Main Bay Table				
Shelter Size	Cover DIM 'A'	Overall DIM 'B'	Inner DIM 'C'	Leg Centers DIM 'D'
5M	4950 mm	5040 mm	4850 mm	4900 mm
4M	3970 mm	4060 mm	3870 mm	3920 mm
3M	2990 mm	3080 mm	2890 mm	2940 mm
2M	2010 mm	2100 mm	1910 mm	1960 mm
1M	1030 mm	1120 mm	930 mm	980 mm



EXTENSION

Extension Table		
Shelter Size	Cover DIM 'E'	Overall DIM 'F'
5M	4923 mm	4968 mm
4M	3943 mm	3988 mm
3M	2963 mm	3008 mm
2M	1983 mm	2028 mm
1M	1003 mm	1048 mm



THE INFORMATION PROVIDED ON THIS DRAWING IS FOR REPRESENTATION PURPOSES ONLY AND SHOULD NOT BE USED FOR MANUFACTURE. ALL DIMENSIONS ARE IN MILLIMETERS AND ARE TO BE USED FOR REFERENCE ONLY AND SHOULD NOT BE TAKEN AS ACTUALS. AUTOPA RESERVE THE RIGHT TO CHANGE SPECIFICATIONS WHEN NECESSARY.



THIS DRAWING IS THE PROPERTY OF AUTOPA LTD

TITLE

BADBY SHELTER

Part Number: REFERENCE ONLY

Printed: 27/07/2023